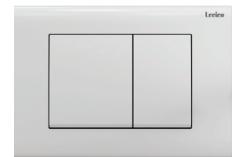


VOLTA RIMLESS WHP COMBO

WITH SOFT CLOSE SEAT, CONCEALED CISTERN
AND ACTUATOR PLATE



VOLTA RIMLESS WALL HUNG PAN

COLOUR	WHITE
MATERIAL	VITREOUS CHINA
WEIGHT	28 KG

W 345 | H 340 | D 510

CONCEALED CISTERN

MATERIAL	HDPE TANK (HIGH-DENSITY POLYETHYLENE)
WEIGHT	8.4 KG

W 455 | H 762 | D 80

PUREPRESS ACTUATOR PLATE

COLOUR	CHOICE OF WHITE, CHROME, OR BLACK
MATERIAL	ABS PLASTIC
WEIGHT	0.4KG

W 245 | H 165 | D 12

COMBO PRODUCT CODES FOR PUREPRESS ACTUATOR PLATES



COMBO WITH WHITE PUREPRESS ACTUATOR PLATE:
COMBOCONWHVOLUS



COMBO WITH CHROME PUREPRESS ACTUATOR PLATE:
COMBOCONCHVOLUS



COMBO WITH BLACK PUREPRESS ACTUATOR PLATE:
COMBOCONBLVOLUS

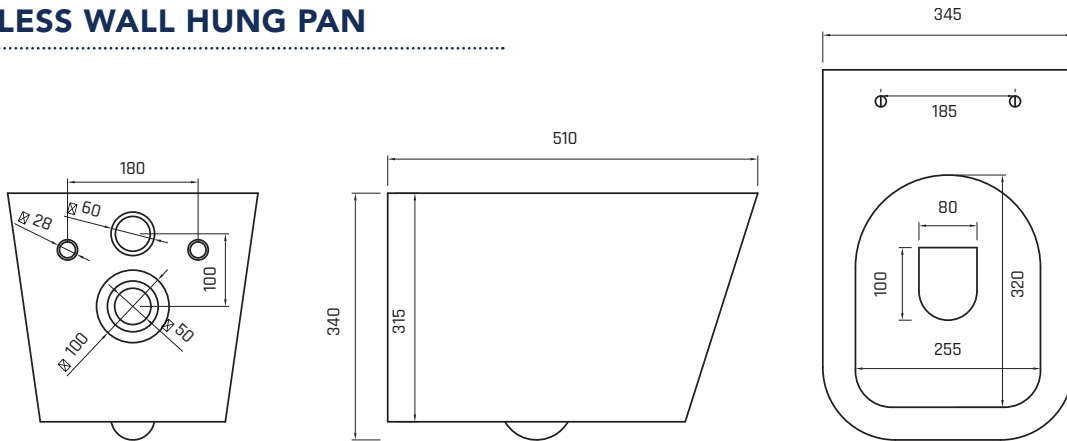


we make bathrooms beautiful

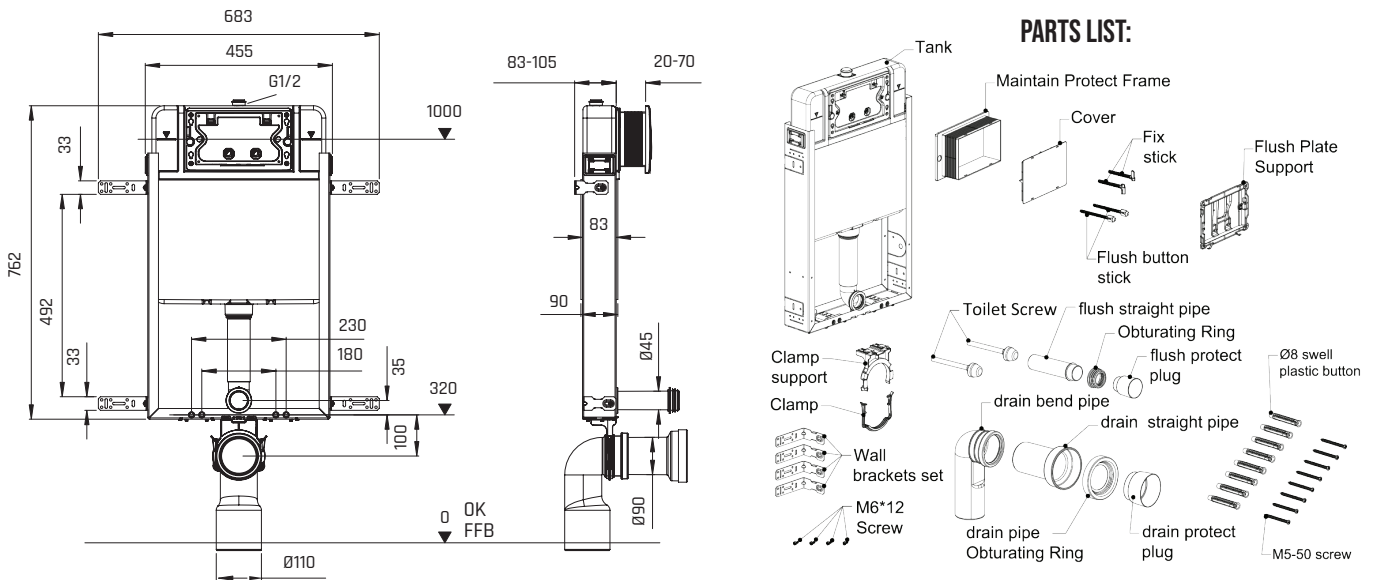
VOLTA RIMLESS WHP COMBO

WITH SOFT CLOSE SEAT, CONCEALED CISTERN AND ACTUATOR PLATE

VOLTA RIMLESS WALL HUNG PAN



CONCEALED CISTERN



PUREPRESS ACTUATOR PLATE

AVAILABLE IN WHITE, CHROME, OR BLACK

