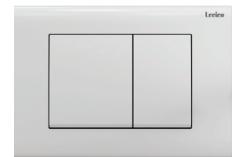


ATLAS GEO RIMLESS WHP COMBO

WITH MDF SEAT AND CONCEALED CISTERN
AND ACTUATOR PLATE



ATLAS GEO RIMLESS WALL HUNG PAN

COLOUR	WHITE
MATERIAL	VITREOUS CHINA
WEIGHT	17.25 KG

W 368 | H 370 | D 529

CONCEALED CISTERN

MATERIAL	HDPE TANK (HIGH-DENSITY POLYETHYLENE)
WEIGHT	8.4 KG

W 455 | H 762 | D 80

PUREPRESS ACTUATOR PLATE

COLOUR	CHOICE OF WHITE, CHROME, OR BLACK
MATERIAL	ABS PLASTIC
WEIGHT	0.4KG

W 245 | H 165 | D 12

COMBO PRODUCT CODES FOR PUREPRESS ACTUATOR PLATES



COMBO WITH WHITE PUREPRESS ACTUATOR PLATE:
COMBOCONWHGEOUS

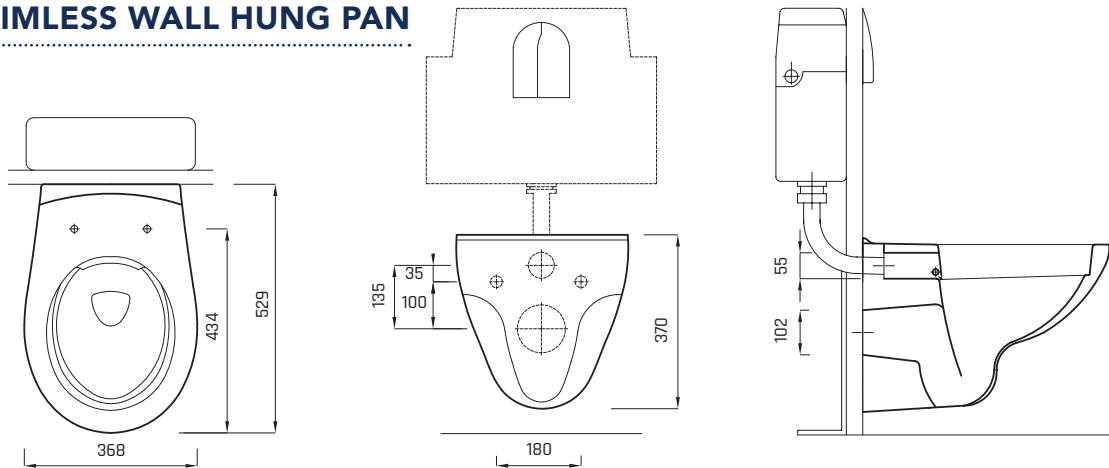


COMBO WITH CHROME PUREPRESS ACTUATOR PLATE:
COMBOCONCHGEOUS

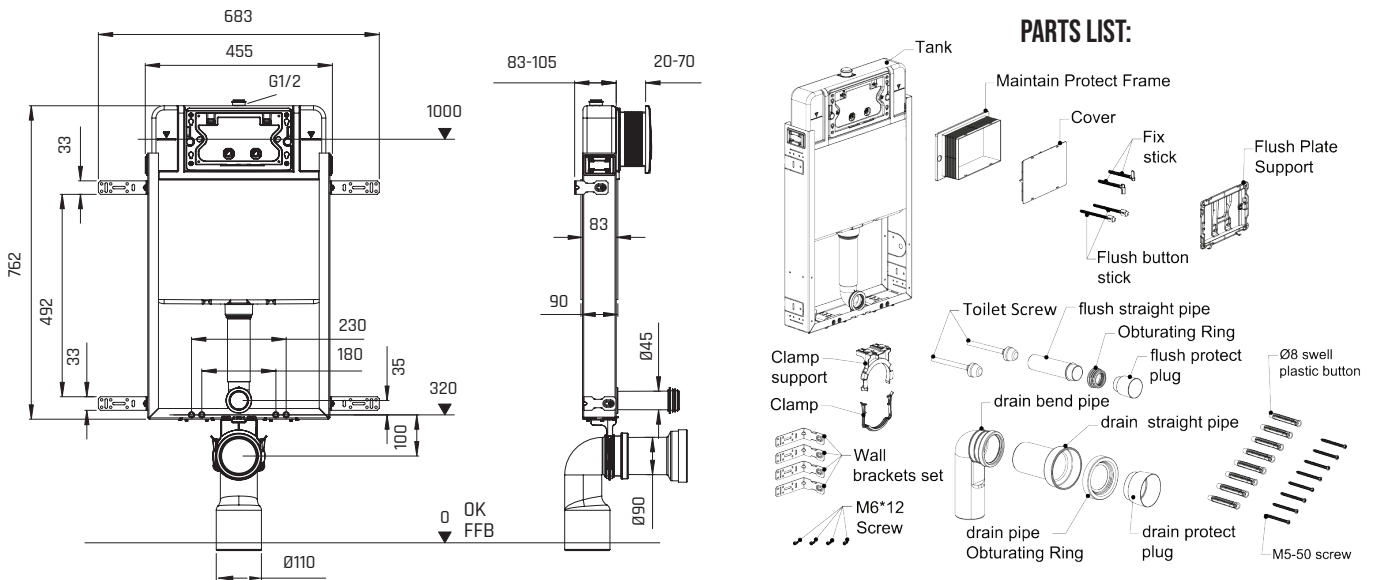


COMBO WITH BLACK PUREPRESS ACTUATOR PLATE:
COMBOCONBLGEOUS

ATLAS GEO RIMLESS WALL HUNG PAN



CONCEALED CISTERN



PUREPRESS ACTUATOR PLATE

AVAILABLE IN WHITE, CHROME, OR BLACK

