

**Lecico**  
quality bathroom solutions



211

**SLIM-LINE SOFT-CLOSE SEAT  
(STAINLESS STEEL HINGES)**

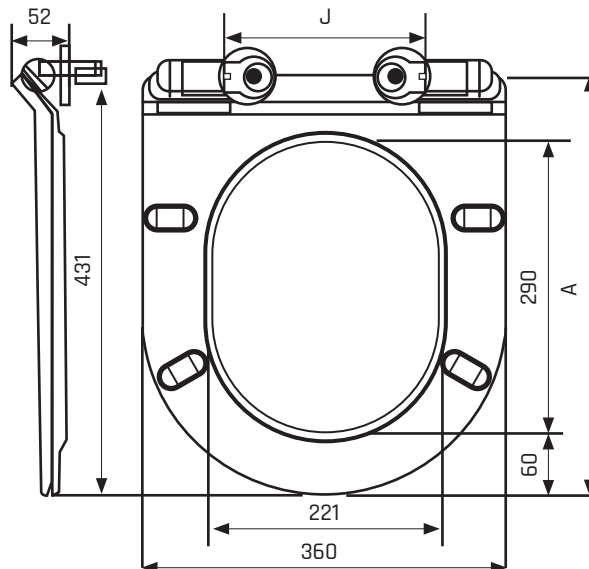


**COLOUR**  
**MATERIAL**  
**CODE**

WHITE  
POLYPROPYLENE  
CHISEASCS0111UC

**W 360 | H 52 | D 431**

LECICO RESERVE THE RIGHT TO CHANGE THE PRODUCT WITHOUT NOTIFICATION



T +27 21 531 9848 | F +27 21 531 1538 | [www.lecicoso.co.za](http://www.lecicoso.co.za)