

# CARE+ RANGE

**Lecico**  
we make bathrooms beautiful



**CARE+ RANGE**



LAGUNA RIMLESS BACK-TO-WALL  
RAISED HEIGHT MEDICAL PAN



*Beautifully designed to meet specific needs  
for accessibility, form and function*



## LECICO CARE+ RANGE

Accessible bathrooms are an absolute necessity for people living with mobility / health challenges and conditions.

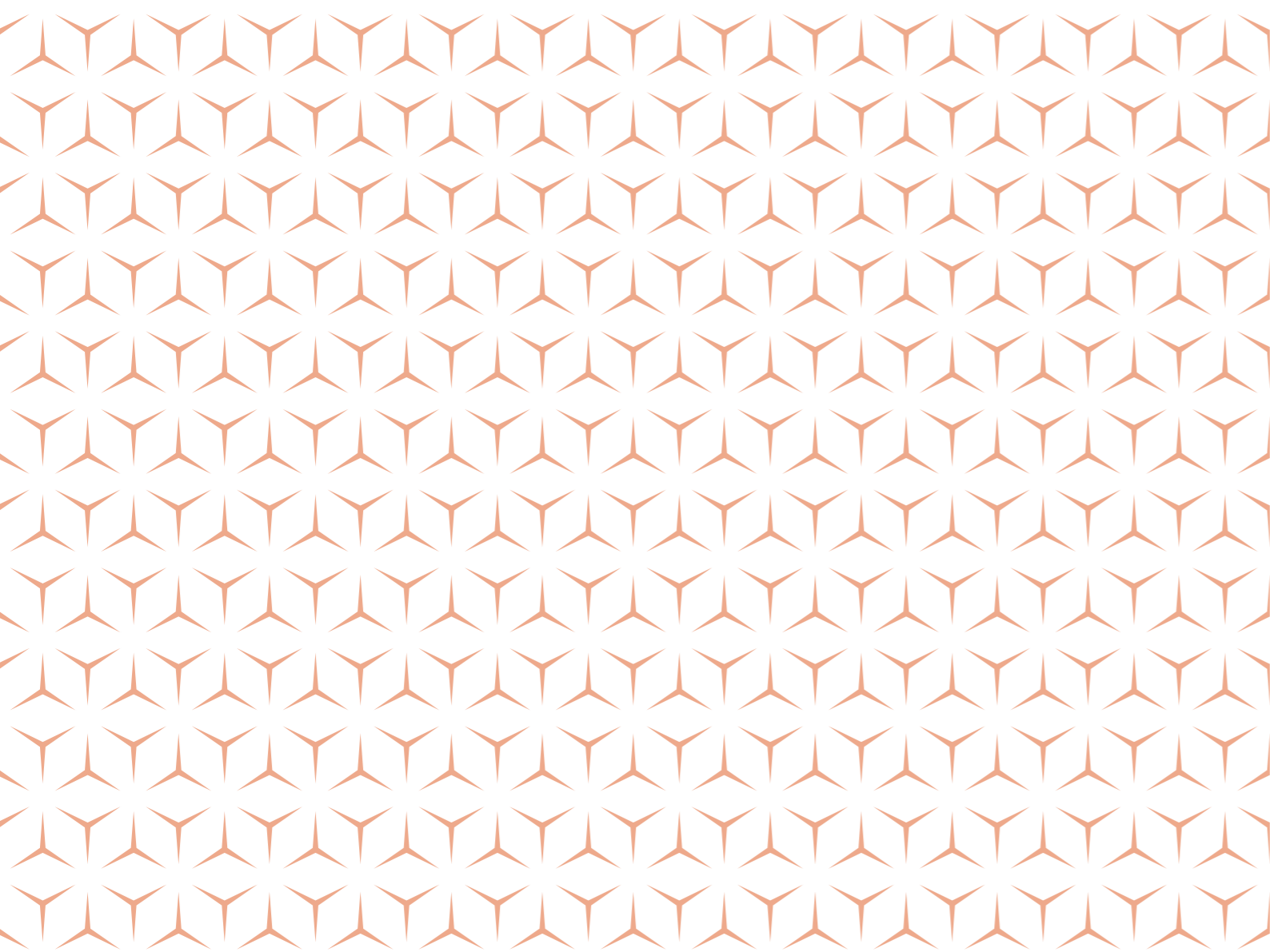
A crucial part of inclusive spaces, their design features allow people to use the bathroom facilities as independently and safely as possible.

Lecico proudly offers a **Care+ Range** specifically suited for bathroom environments as used by/in:

- Elderly individuals
- Frail individuals
- Individuals with permanent and semi-permanent physical mobility concerns or challenges
- Individuals with temporary mobility concerns or challenges (including post-operative patients, individuals with sports injuries, individuals with orthopaedic injuries)
- Healthcare and medical environments (including hospitals, clinics, specialists' consulting rooms, medical practices, treatment rooms, radiology clinics, path labs, veterinary practices etc.).
- Physical rehabilitation and treatment facilities (including physiotherapy treatment centres, sports injury facilities)
- Wheelchair users
- Clinics and treatment centres for aestheticians, cosmetologists and allied health and beauty services
- Strictly sterile medical, pharmaceutical and pathology laboratories

## INDEX

LAGUNA RIMLESS BACK-TO-WALL RAISED HEIGHT MEDICAL PAN .....	8
ATLAS 50CM MEDICAL BASIN .....	2
ATLAS 60CM MEDICAL BASIN .....	2
ATLAS 50CM MEDICAL BASIN WITH 2-PIECE CONCEALED STABILITY BRACKETS COMBO .....	4
ATLAS 60CM MEDICAL BASIN WITH 2-PIECE CONCEALED STABILITY BRACKETS COMBO .....	4
CONCEALED STABILITY BASIN BRACKETS .....	5
ATLAS PARAPLEGIC ASSISTED MOBILITY CLOSE- COUPLE WC SET (SIDE FLUSH, RAISED HEIGHT) ....	7
ATLAS RAISED PARAPLEGIC CC WITH 2-PIECE GRAB RAILS COMBO (DOG-LEG GRAB RAIL & CISTERN GRAB RAIL) .....	7
ATLAS PARAPLEGIC ASSISTED MOBILITY LOW LEVEL WC SET (SIDE FLUSH, RAISED HEIGHT) .....	8
ATLAS RAISED PARAPLEGIC LL WITH 2-PIECE GRAB RAILS COMBO (DOG-LEG GRAB RAIL AND CISTERN GRAB RAIL) .....	8
COMFORT ROUND CLOSE COUPLE WC WITH SOFT CLOSE SEAT BOX SET (TOP FLUSH DUAL PUSH BUTTON) .....	9
LAGUNA BACK-TO-WALL PARAPLEGIC / ASSISTED MOBILITY RAISED HEIGHT PAN .....	10
LAGUNA RIMLESS BACK-TO-WALL RAISED HEIGHT MEDICAL PAN .....	10
C2 SQUARED WALL-HUNG RIMLESS PAN WITH SOFT CLOSE SEAT .....	12
GEO RIMLESS WALL-HUNG PAN .....	13
LAGUNA RIMLESS BACK-TO-WALL RAISED HEIGHT MEDICAL PAN .....	14
MATRIX RIMLESS WALL-HUNG PAN WITH SOFT CLOSE SEAT .....	15
VOLTA RIMLESS WALL-HUNG PAN WITH SOFT CLOSE SEAT .....	16
ZAMBEZI RIMLESS WALL-HUNG PAN WITH SOFT CLOSE SEAT .....	17
LAGUNA BACK-TO-WALL PARAPLEGIC / ASSISTED MOBILITY RAISED HEIGHT PAN .....	18
ATLAS RAISED PARAPLEGIC LL WITH 2-PIECE GRAB RAILS COMBO (DOG-LEG GRAB RAIL AND CISTERN GRAB RAIL) .....	20
ATLAS RAISED PARAPLEGIC CC & 2-PIECE GRAB RAILS COMBO [DOG-LEG GRAB RAIL AND CISTERN GRAB RAIL] .....	20
GRAB RAIL - CISTERN .....	21
GRAB RAIL - DOG-LEG .....	21



**CARE+** RANGE

**ATLAS 50CM MEDICAL BASIN**

**PRODUCT CODE:** ATLBASMED0500UE | **W 510 | H 210 | D 410**

50cm wall-hung basin designed for health and medical sites. Perfect for sterile and safe environments that prioritise cleanliness and germ-avoidance. No overflow hole and chain-stay holes, and no tap holes for germ / bacteria accumulation.

**CARE+** RANGE

**ATLAS 60CM MEDICAL BASIN**

**PRODUCT CODE:** ATLBASMED0600UE | **W 600 | H 210 | D 492**

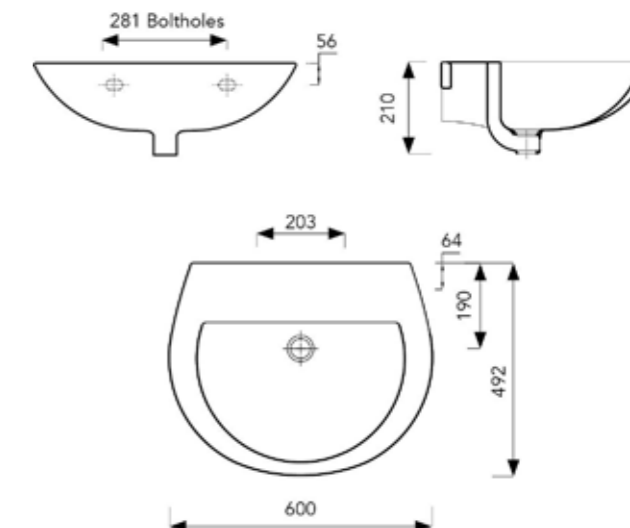
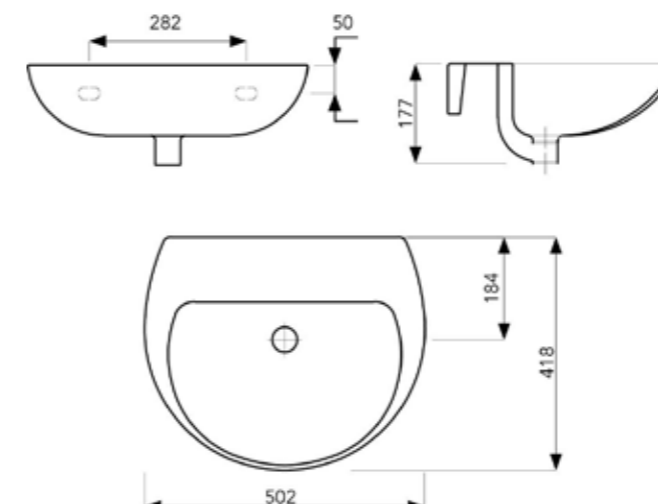
Generously sized, 60cm wall-hung basin designed for health and medical sites. Perfect for sterile and safe environments that prioritise cleanliness and germ-avoidance. No overflow hole and chain-stay holes, and no tap holes for germ / bacteria accumulation.

**CARE+** RANGE

**MEDICAL BASINS**



Generously sized wall-hung basins designed for health and medical sites. Perfect for sterile and safe environments that prioritise cleanliness and germ-avoidance. No overflow hole and no tap holes for germ / bacteria accumulation. Recommended for hospitals, medical practices, elderly care facilities, veterinary practices, health clinics, sterile laboratories and more.





The **Atlas Medical Basins with 2-piece Concealed Stability Brackets Combo** comprise a medical wall-mounted basin, as well as a 2-piece, powder-coated Concealed Stability Bracket set.

This 2-piece (powder-coated steel) bracket set provides additional basin mounting security and strength. This is particularly important in bathrooms used by individuals that might lean on the basin due to mobility challenges.

The Lecico Atlas Medical Basins have no tap, overflow or chain-stay holes - this makes them ideal for medical/sterile environments.



**CARE+** RANGE

**ATLAS 50CM MEDICAL BASIN WITH 2-PIECE CONCEALED STABILITY BRACKETS COMBO**

PRODUCT CODE: ATLDUOMED0500UE | W 510 | H 210 | D 410



**CARE+** RANGE

**ATLAS 60CM MEDICAL BASIN WITH 2-PIECE CONCEALED STABILITY BRACKETS COMBO**

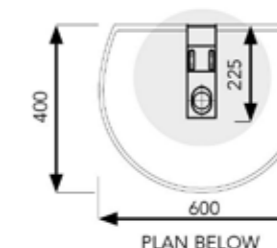
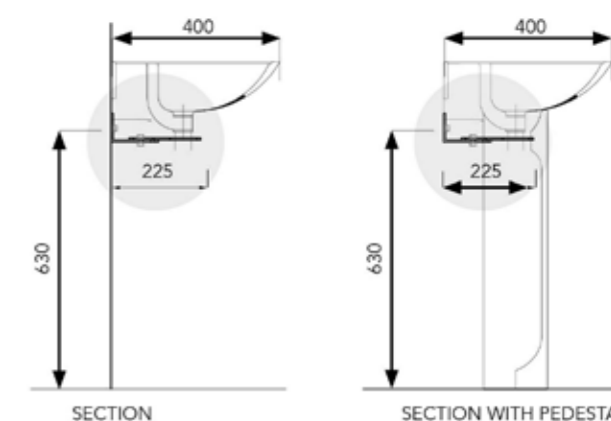
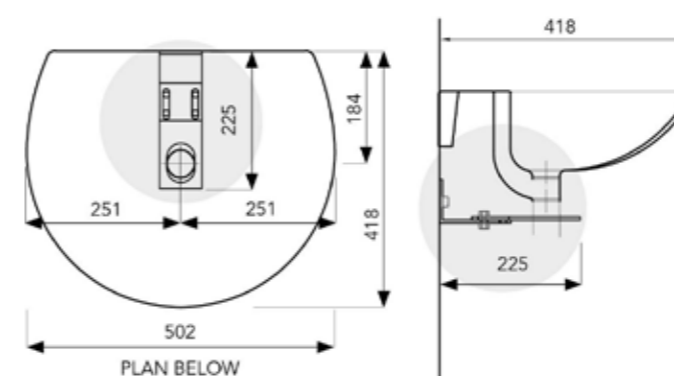
PRODUCT CODE: ATLDUOMED0600UE | W 600 | H 210 | D 492

**CARE+** RANGE

## MEDICAL BASIN BRACKETS AND BASIN/BRACKET COMBOS



As a recommended complement or addition to either the Atlas 50cm Medical Basin, or to the Atlas 60cm Medical Basin, we recommend our Concealed Stability Basin Brackets. This 2-piece (powder-coated steel) bracket set provides additional basin mounting security and strength. This is particularly important in bathrooms used by individuals that might lean on the basin due to mobility challenges.





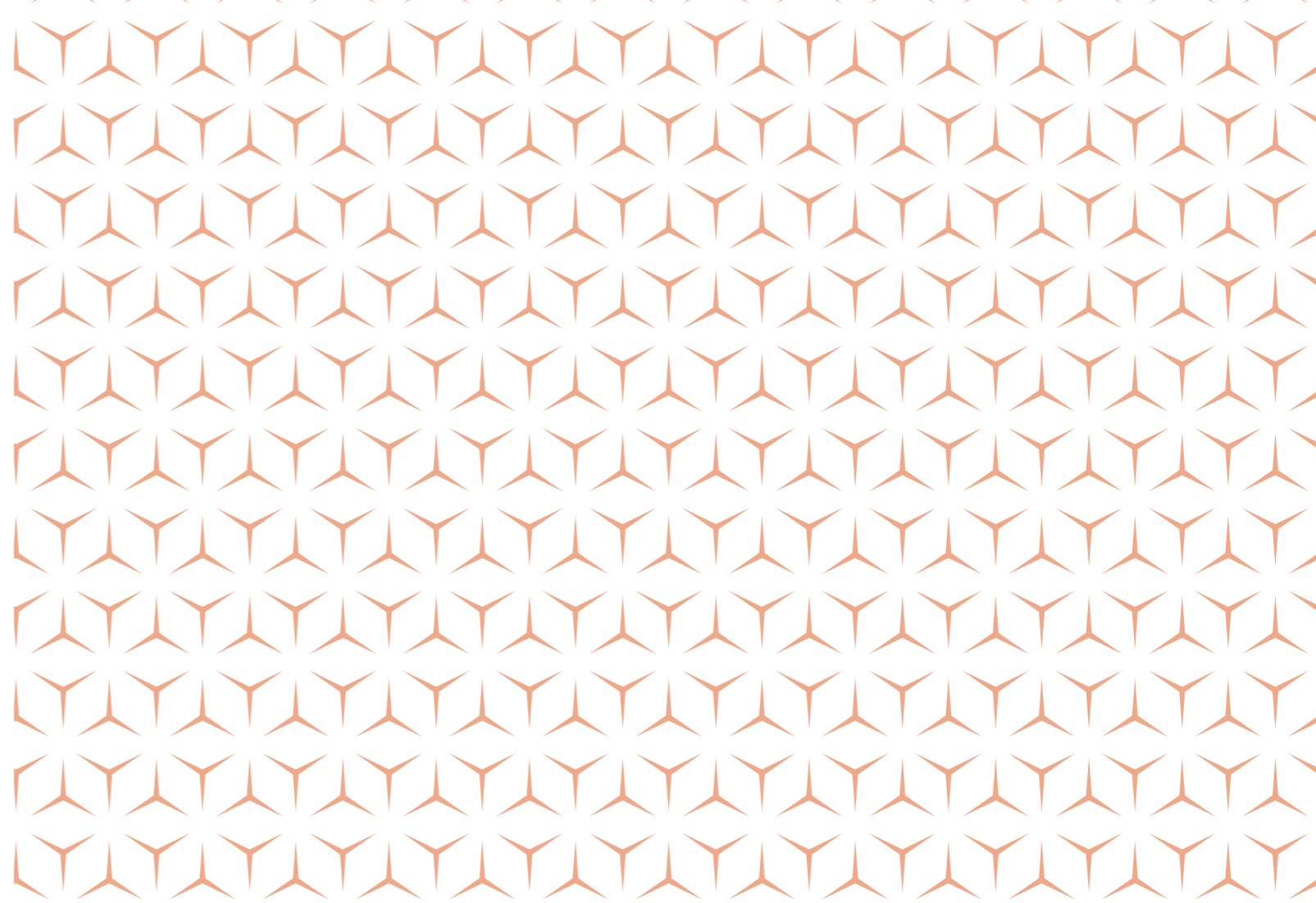
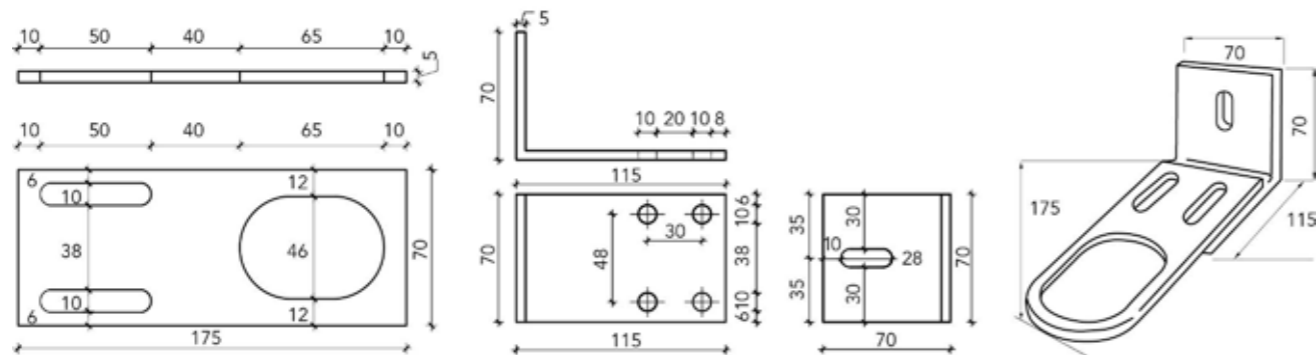


**CARE+** RANGE

**CONCEALED STABILITY BASIN BRACKETS**

**PRODUCT CODE:** FIXSPABRKOMEDUS0 | **W 70 | H 70 | D 175**

The Lecico Concealed Stability Basin Brackets for additional basin mounting strength and peace of mind.



**CARE+** RANGE

**RAISED HEIGHT WCs**



Raised Height WCs are more comfortable and convenient to use because the toilet pans are taller in height. The extra 5cm-12cm in raised height means that it is easier and more comfortable to lower your body and sit on it. The extended height is really appreciated by wheelchair users, taller people, as well as by people that are frail, or, people who struggle with lower back pain.



**CARE+** RANGE

**ATLAS PARAPLEGIC ASSISTED MOBILITY CLOSE-COUPLE WC SET (SIDE FLUSH, RAISED HEIGHT)**

**PAN:** PARPANCCF0000UE | **W 443 | H 855 | D 731**

**CISTERN:** PARCISSFLONOMUE

**MECHANISM:** DUTMECPAR0CCMUS

The ideal Close Couple WC set for mobility assistance bathroom facilities.

**CARE+** RANGE

**ATLAS RAISED PARAPLEGIC CC WITH 2-PIECE GRAB RAILS COMBO (DOG-LEG GRAB RAIL & CISTERN GRAB RAIL)**

**PRODUCT CODE:** PARSETCCB0RAIBE | **W 443 | H 855 | D 731**

The addition of the mobility assistance grab rails provides secure grab reach and leverage for users.

**CARE+** RANGE

**ATLAS PARAPLEGIC ASSISTED MOBILITY LOW LEVEL WC SET (SIDE FLUSH, RAISED HEIGHT)**

**PAN:** PARPANLLF0000UE | **W 460 | H 1033 | D 790**

**CISTERN:** PARCISLLSONOMUE

**MECHANISM:** DUTMECPAR0LLMUS

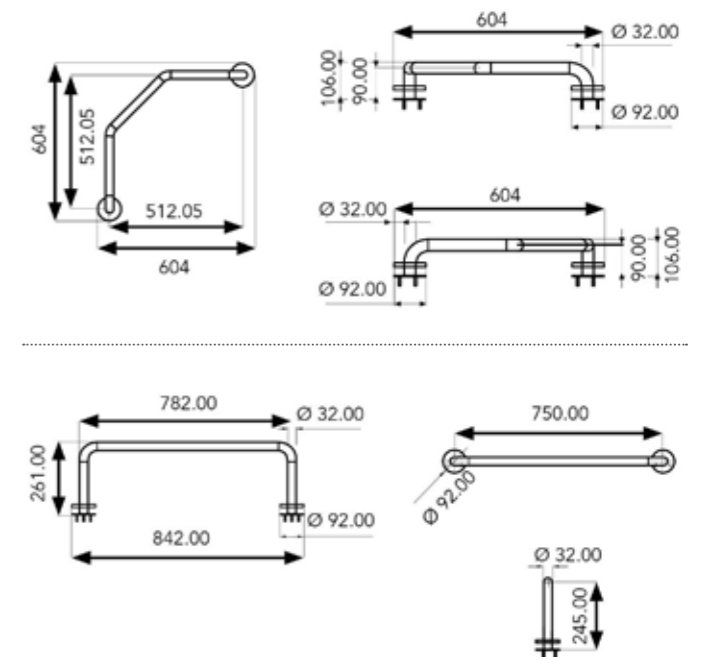
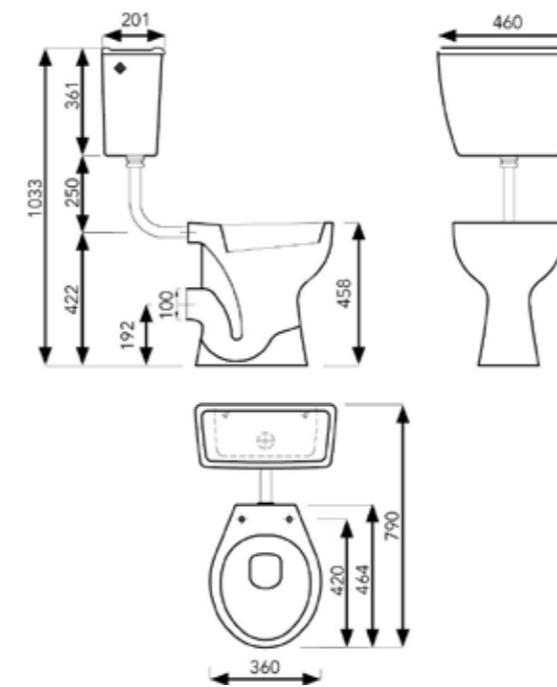
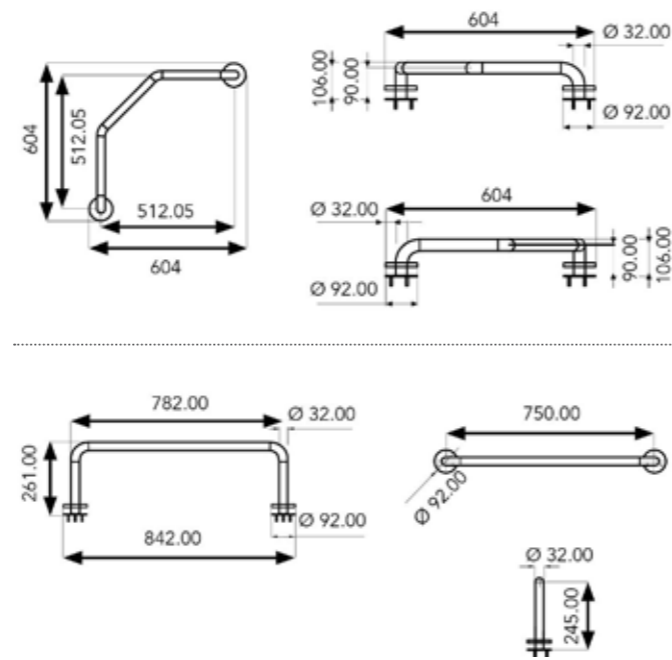
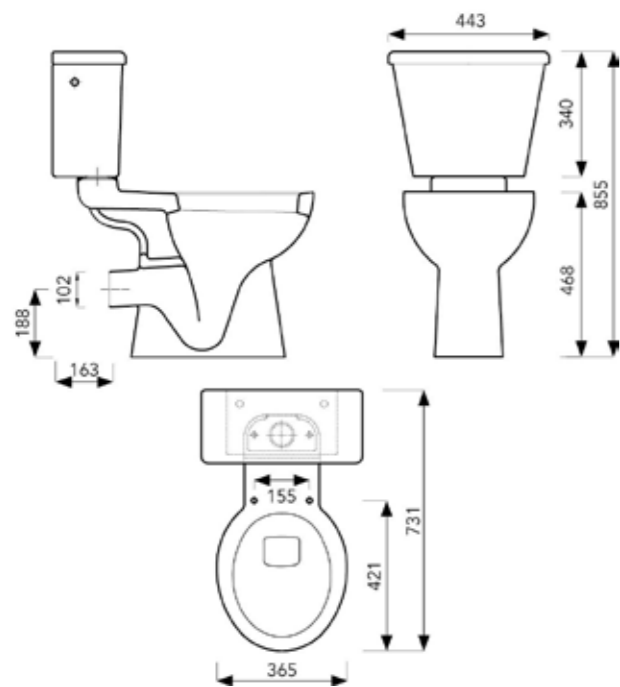
The ideal Low Level WC set for mobility assistance bathroom facilities.

**CARE+** RANGE

**ATLAS RAISED PARAPLEGIC LL WITH 2-PIECE GRAB RAILS COMBO (DOG-LEG GRAB RAIL AND CISTERN GRAB RAIL)**

**PRODUCT CODE:** PARSETLLB0RAIBE | **W 460 | H 1033 | D 790**

The addition of the mobility assistance grab rails provides secure grab reach and leverage for users.



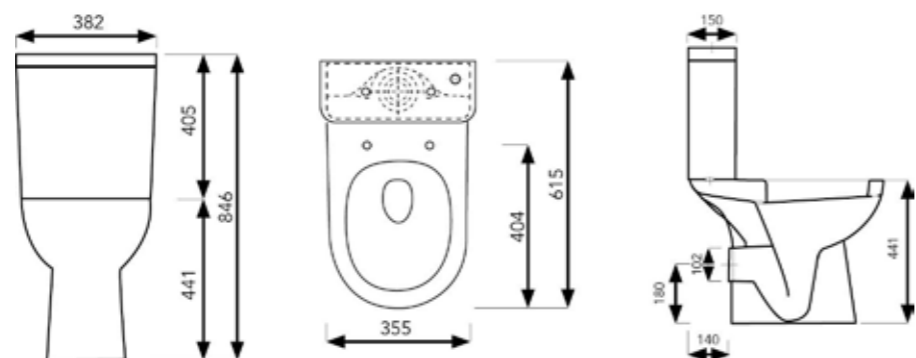


**CARE+ RANGE**

**COMFORT ROUND CLOSE-COUPLE WC WITH  
SOFT CLOSE SEAT BOX SET  
(TOP FLUSH DUAL PUSH BUTTON)**

**PRODUCT CODE: COMBOXDFL0SCSBE | W 382 | H 846 | D 615**

Contemporary and attractive Close Couple WC set that provides extra height comfort.

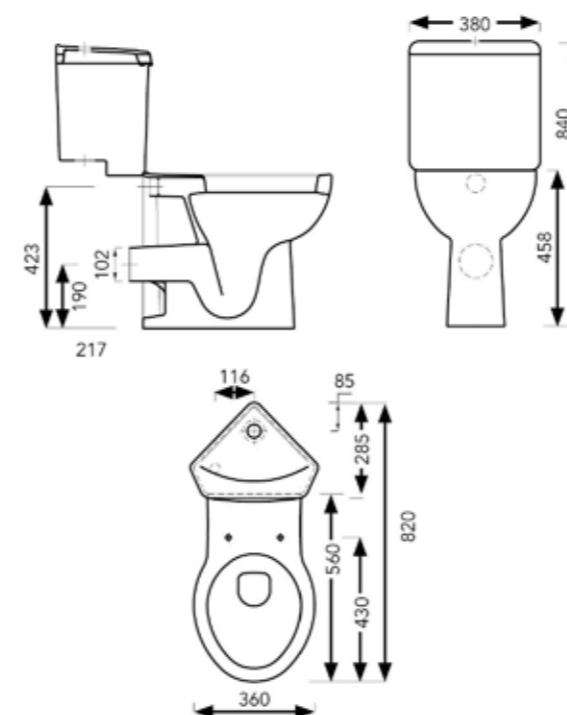


**CARE+ RANGE**

**LAGUNA BACK-TO-WALL PARAPLEGIC /  
ASSISTED MOBILITY RAISED HEIGHT PAN**

**PRODUCT CODE: LAGPANBTW0PARUE | W 360 | H 458 | D 560**

The ideal solution for bathrooms that cater towards wheelchair users, as well as users that require mobility assistance.

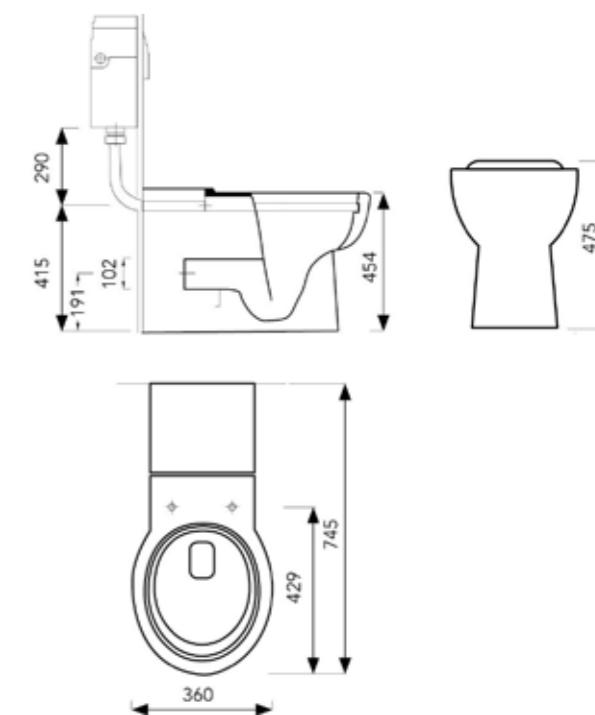


**CARE+ RANGE**

**LAGUNA RIMLESS BACK-TO-WALL RAISED  
HEIGHT MEDICAL PAN**

**PRODUCT CODE: LAGPANBTW0RIMUE | W 360 | H 475 | D 745**

The ideal solution for bathrooms that cater towards wheelchair users, as well as users that require mobility assistance. The Rimless pan is perfect for environments requiring strict hygiene protocols, as well as concerted germ-avoidance.







**CARE+** RANGE

## RIMLESS WCs



A RIMLESS toilet is a toilet pan that does not have the traditional inside rim. Instead of water flowing into the bowl all the way round the rim, a direct flush technique shoots water around the edge of a smooth pan. As there is no rim, rimless toilets are easy to clean and more hygienic than a traditional toilet.

### WHAT MAKES RIMLESS TOILETS SO GREAT?

**MORE HYGIENIC** – Hard-to-reach areas of a traditional toilet pan are breeding grounds for germs to hide. Without this rim and with the advanced flushing system washing those germs away, rimless toilets provide a more hygienic day-to-day experience.

**EASIER TO CLEAN** – no inner rim means that cleaning the inside of the toilet pan is so much easier.

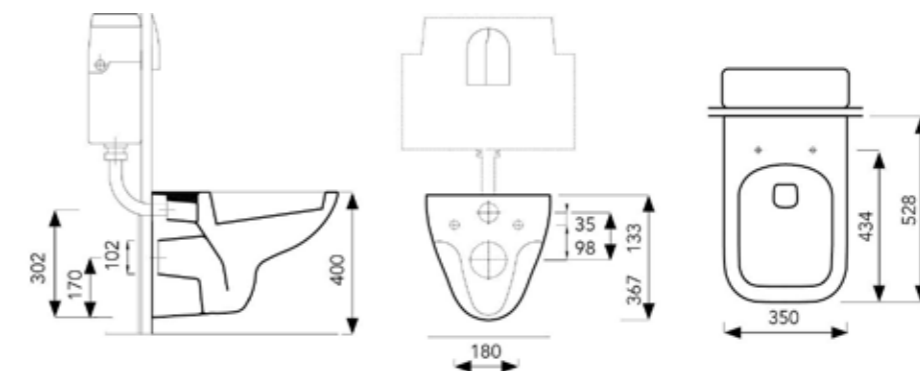
**IMPROVED FLUSH TECHNOLOGY** – Rimless toilets provide improved and more targeted flush performance.

**CARE+** RANGE

### C2 SQUARED WALL-HUNG RIMLESS PAN WITH SOFT CLOSE SEAT

**PRODUCT CODE:** C2SDUOWHU0SCSBE | **W 350 | H 400 | D 528**

Luxury and practicality. The Rimless pan is perfect for environments requiring strict hygiene protocols, as well as concerted germ-avoidance.





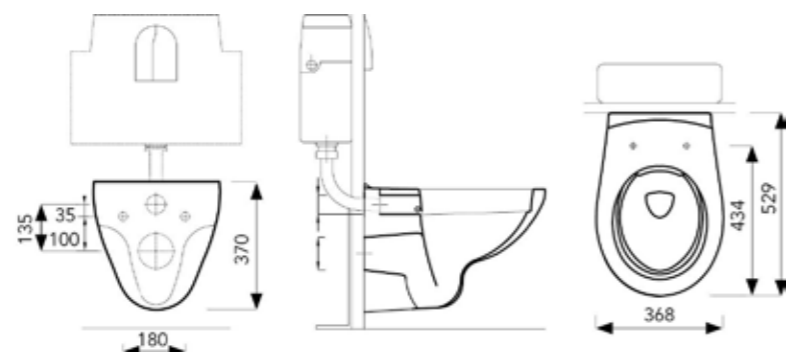
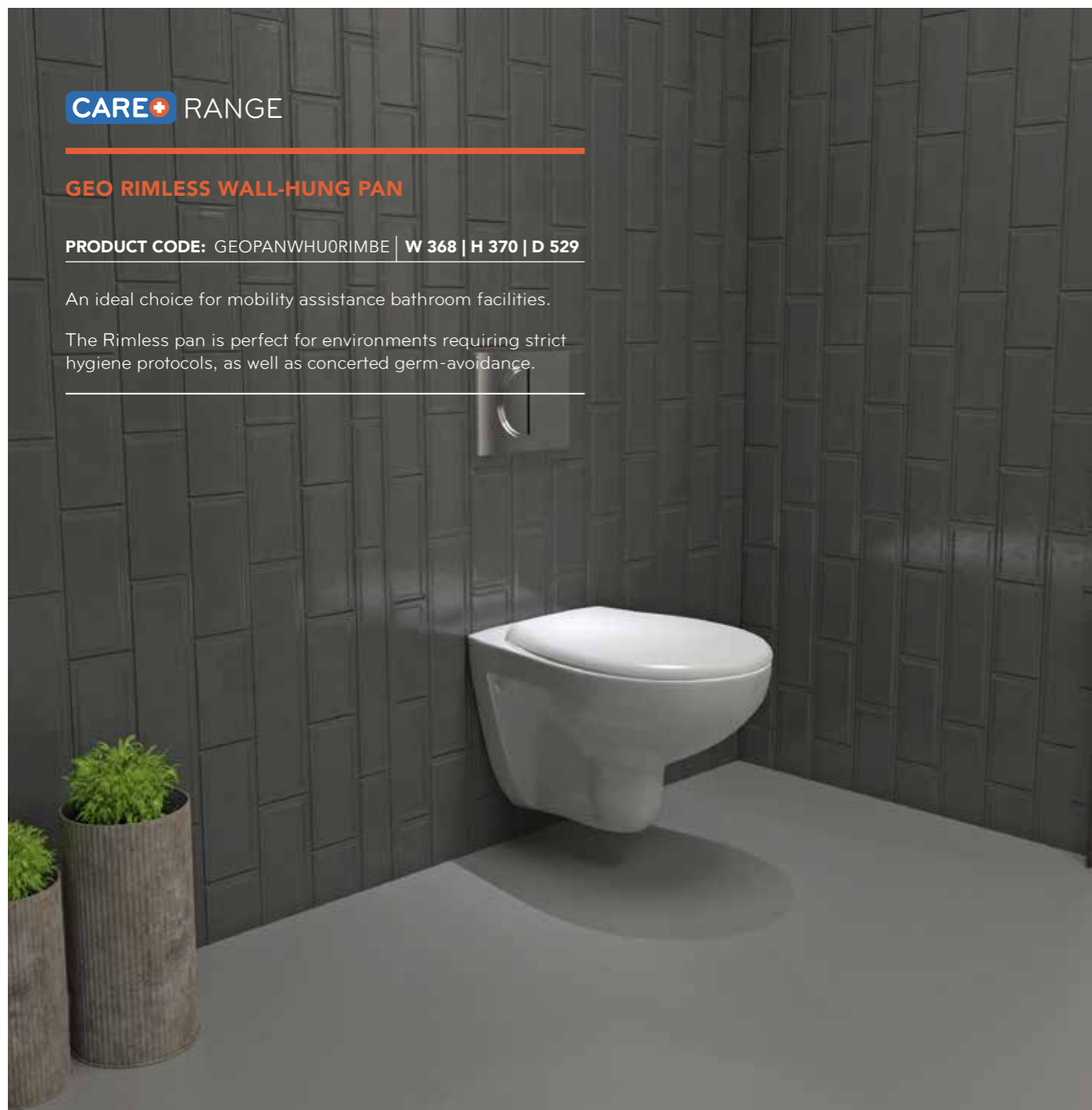
**CARE+ RANGE**

**GEO RIMLESS WALL-HUNG PAN**

**PRODUCT CODE:** GEOPANWHUORIMBE | **W 368 | H 370 | D 529**

An ideal choice for mobility assistance bathroom facilities.

The Rimless pan is perfect for environments requiring strict hygiene protocols, as well as concerted germ-avoidance.



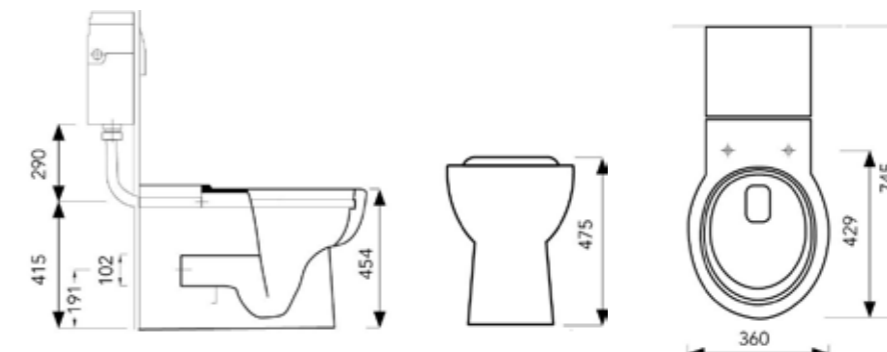
**CARE+ RANGE**

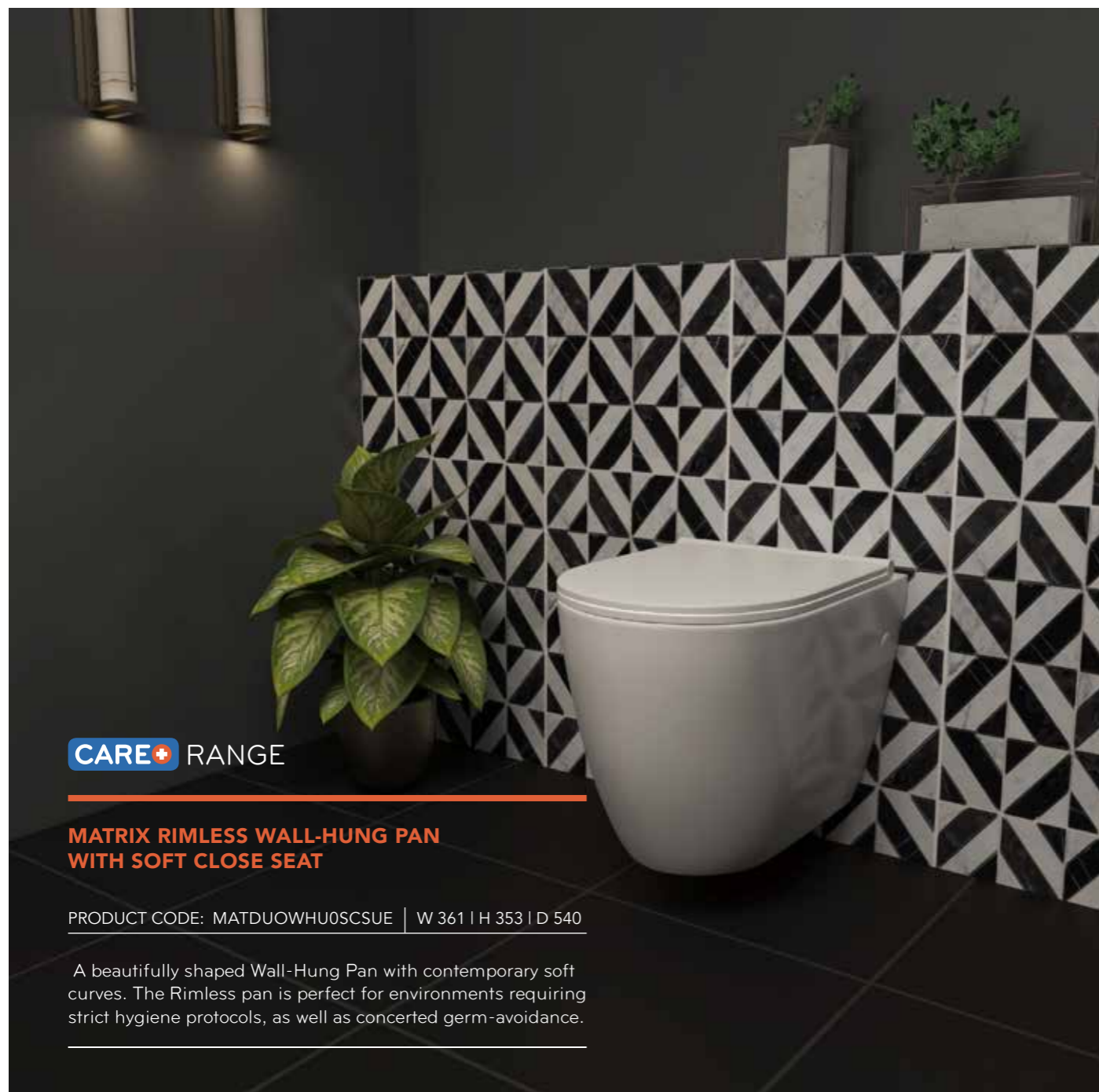
**LAGUNA RIMLESS BACK-TO-WALL RAISED HEIGHT MEDICAL PAN**

**PRODUCT CODE:** LAGPANBTWORIMUE | **W 360 | H 475 | D 745**

An ideal choice for mobility assistance bathroom facilities.

The Rimless pan is perfect for environments requiring strict hygiene protocols, as well as concerted germ-avoidance.



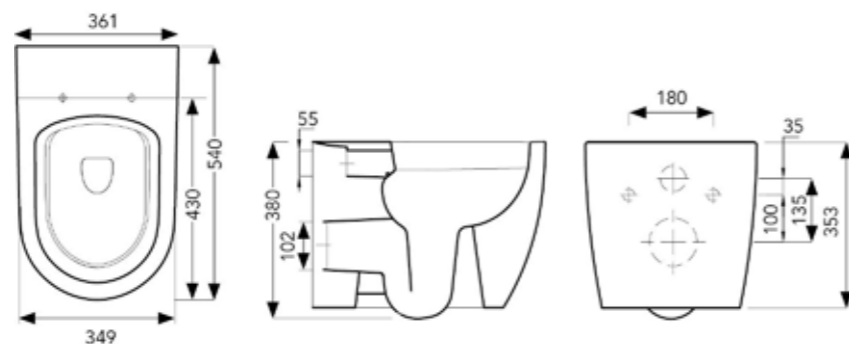


**CARE+** RANGE

**MATRIX RIMLESS WALL-HUNG PAN WITH SOFT CLOSE SEAT**

PRODUCT CODE: MATDUOWHU0SCSUE | W 361 | H 353 | D 540

A beautifully shaped Wall-Hung Pan with contemporary soft curves. The Rimless pan is perfect for environments requiring strict hygiene protocols, as well as concerted germ-avoidance.

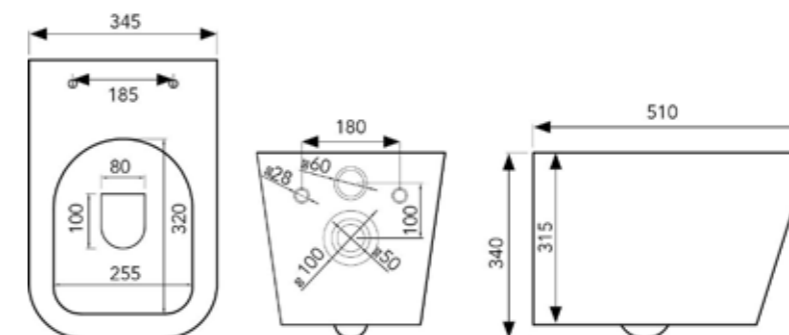


**CARE+** RANGE

**VOLTA RIMLESS WALL-HUNG PAN WITH SOFT CLOSE SEAT**

PRODUCT CODE: VOLDUOWHU0SCSBC | W 345 | H 340 | D 510

Sleek practicality. The Rimless pan is perfect for environments requiring strict hygiene protocols, as well as concerted germ-avoidance.



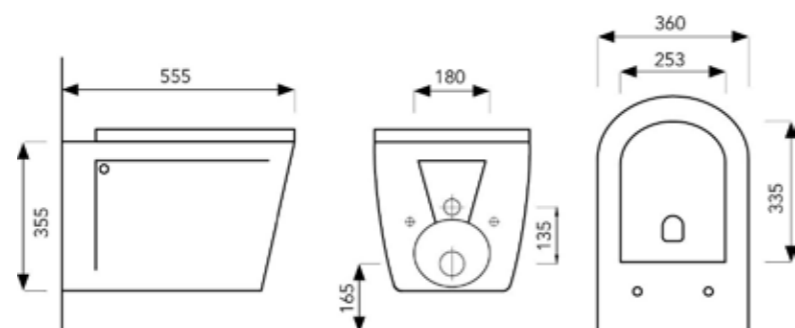


**CARE+** RANGE

**ZAMBEZI RIMLESS WALL-HUNG PAN WITH SOFT CLOSE SEAT**

**PRODUCT CODE:** ZAMDUOWHU0SCSBC | **W 360 | H 355 | D 555**

A perpetual favourite, the Zambezi Rimless Wall-Hung Pan is seriously stylish, and beautifully shaped. The Rimless pan is perfect for environments requiring strict hygiene protocols, as well as concerted germ-avoidance.

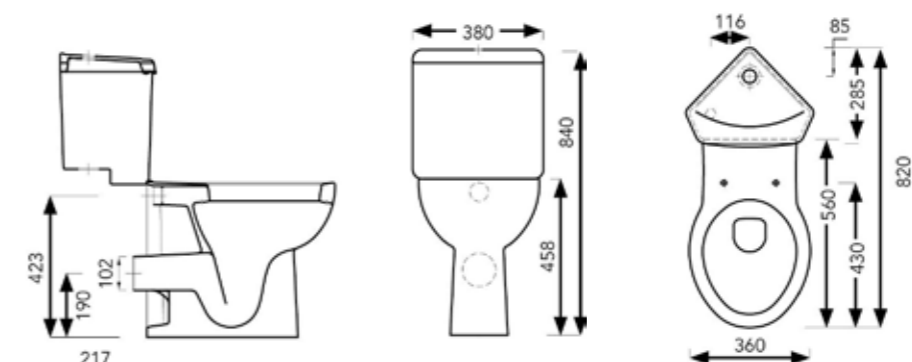


**CARE+** RANGE

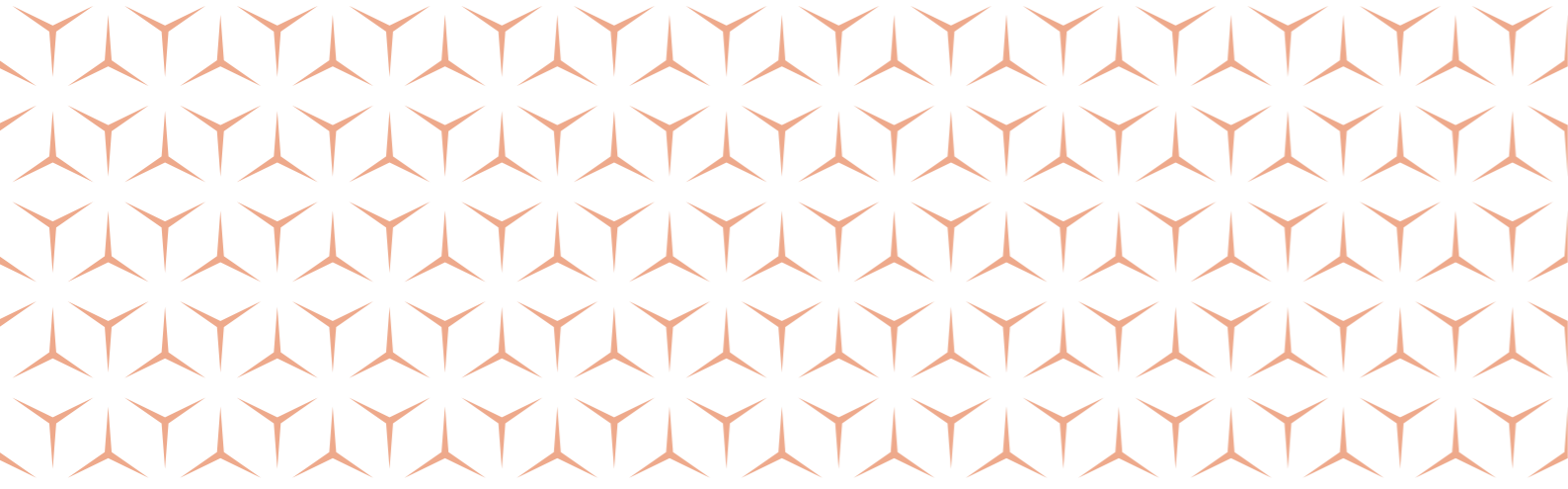
**LAGUNA BACK-TO-WALL PARAPLEGIC / ASSISTED MOBILITY RAISED HEIGHT PAN**

**PRODUCT CODE:** LAGPANBTW0PARUE | **W 360 | H 458 | D 560**

An ideal choice for mobility assistance bathroom facilities.







CARE+ RANGE

## GRAB RAILS



Lecico offers two mobility assistance Grab Rails as part of its Care+ range, a Cistern Grab Rail and a Dog-Leg Grab Rail. These stainless steel grab rails provide secure grab reach and leverage for users.

We recommend the use of these grab rails for:

- Elderly / frail individuals
- Individuals with permanent and semi-permanent physical mobility concerns or challenges
- Individuals with temporary mobility concerns or challenges (including post-operative patients, individuals with sports injuries, individuals with orthopaedic injuries)
- Wheelchair users
- Healthcare and medical environments
- Physical rehabilitation and treatment facilities
- Any commercial or residential site that requires accessible bathroom facilities for its users

These stainless steel grab rails (Cistern Grab Rail, and, Dog-Leg wall Grab Rail) can be ordered on their own, or, they can be ordered as an add-on product with the *Atlas Paraplegic Assisted Mobility Close-Couple WC Set*, or, with the *Atlas Paraplegic Assisted Mobility Low Level WC Set*.



CARE+ RANGE

### ATLAS RAISED PARAPLEGIC LL WITH 2-PIECE GRAB RAILS COMBO (DOG-LEG GRAB RAIL AND CISTERN GRAB RAIL)

PRODUCT CODE: PARSETLLBORAIBE | W 460 | H 1033 | D 790

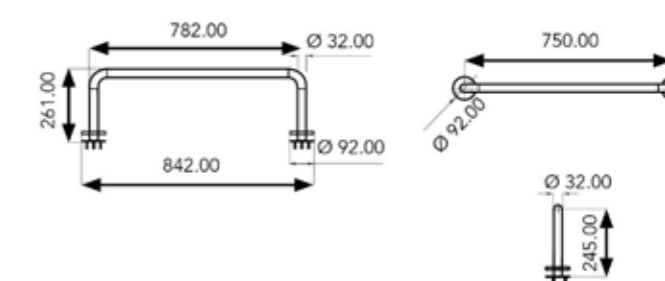
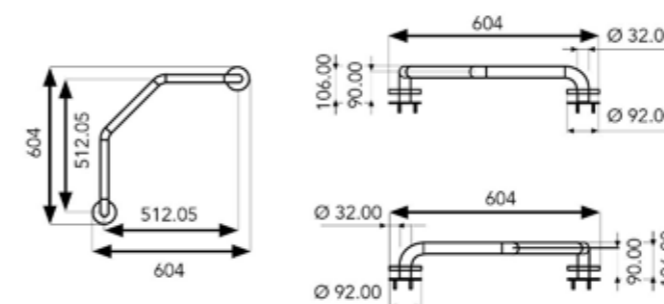
The addition of the two Grab Rails are highly recommended as they provide extra grab reach security, leverage and peace of mind for users.

CARE+ RANGE

### ATLAS RAISED PARAPLEGIC CC & 2-PIECE GRAB RAILS COMBO (DOG-LEG GRAB RAIL AND CISTERN GRAB RAIL)

PRODUCT CODE: PARSETCCBORAIBE | W 443 | H 855 | D 731

The addition of the two Grab Rails are highly recommended as they provide extra grab reach security, leverage and peace of mind for users.



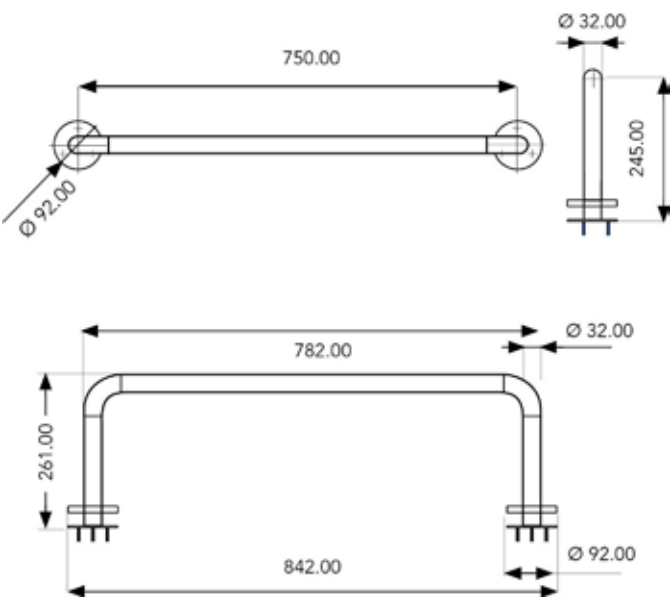




**CARE+** RANGE

**GRAB RAIL - CISTERN**

PRODUCT CODE: GRARAICIS0750US | W 750 | H Ø32 | D 245



**CARE+** RANGE

**GRAB RAIL - DOG-LEG**

PRODUCT CODE: GRARAIDOG0604US | W 604 | H Ø32 | D 106

