

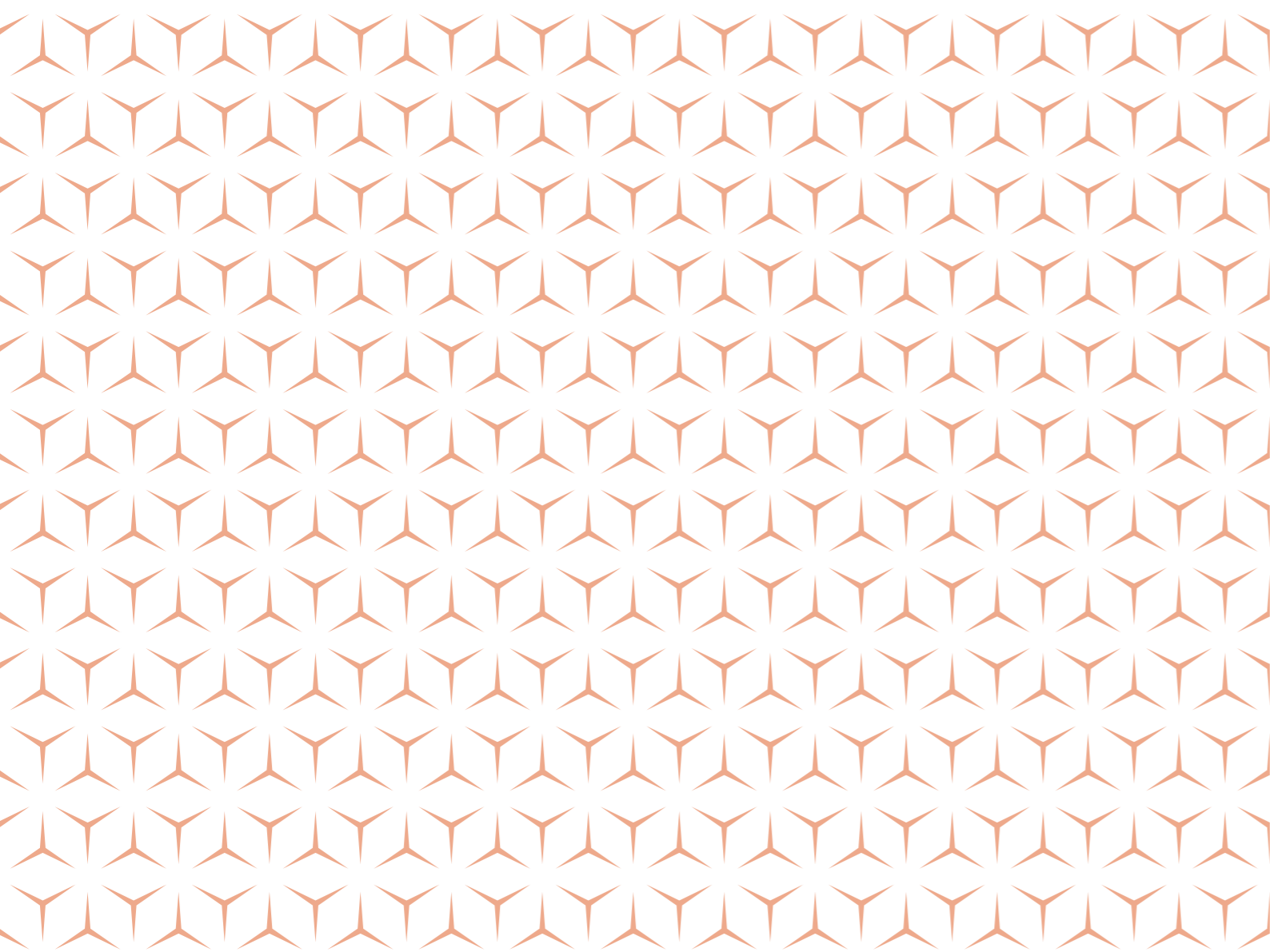
CARE+ RANGE

Lecico
we make bathrooms beautiful



CARE+ RANGE





CARE+ RANGE

ATLAS 50CM MEDICAL BASIN

PRODUCT CODE: ATLBSAMED0500UE | **W 510 | H 210 | D 410**

50cm wall-hung basin designed for health and medical sites. Perfect for sterile and safe environments that prioritise cleanliness and germ-avoidance. No overflow hole and chain-stay holes, and no tap holes for germ / bacteria accumulation.



CARE+ RANGE

ATLAS 60CM MEDICAL BASIN

PRODUCT CODE: ATLBSAMED0600UE | **W 600 | H 210 | D 492**

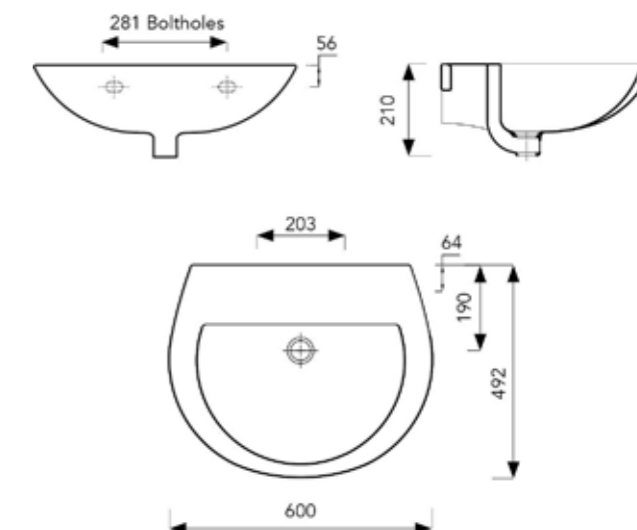
Generously sized, 60cm wall-hung basin designed for health and medical sites. Perfect for sterile and safe environments that prioritise cleanliness and germ-avoidance. No overflow hole and chain-stay holes, and no tap holes for germ / bacteria accumulation.

CARE+ RANGE

MEDICAL BASINS



Generously sized wall-hung basins designed for health and medical sites. Perfect for sterile and safe environments that prioritise cleanliness and germ-avoidance. No overflow hole and no tap holes for germ / bacteria accumulation. Recommended for hospitals, medical practices, elderly care facilities, veterinary practices, health clinics, sterile laboratories and more.





The **Atlas Medical Basins with 2-piece Concealed Stability Brackets Combo** comprise a medical wall-mounted basin, as well as a 2-piece, powder-coated Concealed Stability Bracket set.

This 2-piece (powder-coated steel) bracket set provides additional basin mounting security and strength. This is particularly important in bathrooms used by individuals that might lean on the basin due to mobility challenges.

The Lecico Atlas Medical Basins have no tap, overflow or chain-stay holes - this makes them ideal for medical/sterile environments.



CARE+ RANGE

ATLAS 50CM MEDICAL BASIN WITH 2-PIECE CONCEALED STABILITY BRACKETS COMBO

PRODUCT CODE: ATLDUOMED0500UE | W 510 | H 210 | D 410



CARE+ RANGE

ATLAS 60CM MEDICAL BASIN WITH 2-PIECE CONCEALED STABILITY BRACKETS COMBO

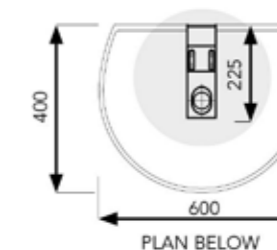
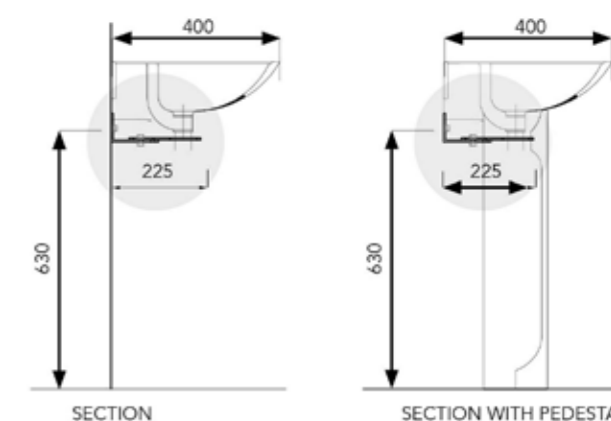
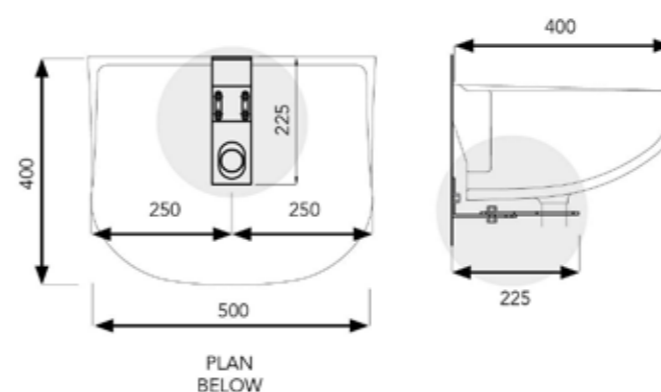
PRODUCT CODE: ATLDUOMED0600UE | W 600 | H 210 | D 492

CARE+ RANGE

MEDICAL BASIN BRACKETS AND BASIN/BRACKET COMBOS



As a recommended complement or addition to either the Atlas 50cm Medical Basin, or to the Atlas 60cm Medical Basin, we recommend our Concealed Stability Basin Brackets. This 2-piece (powder-coated steel) bracket set provides additional basin mounting security and strength. This is particularly important in bathrooms used by individuals that might lean on the basin due to mobility challenges.



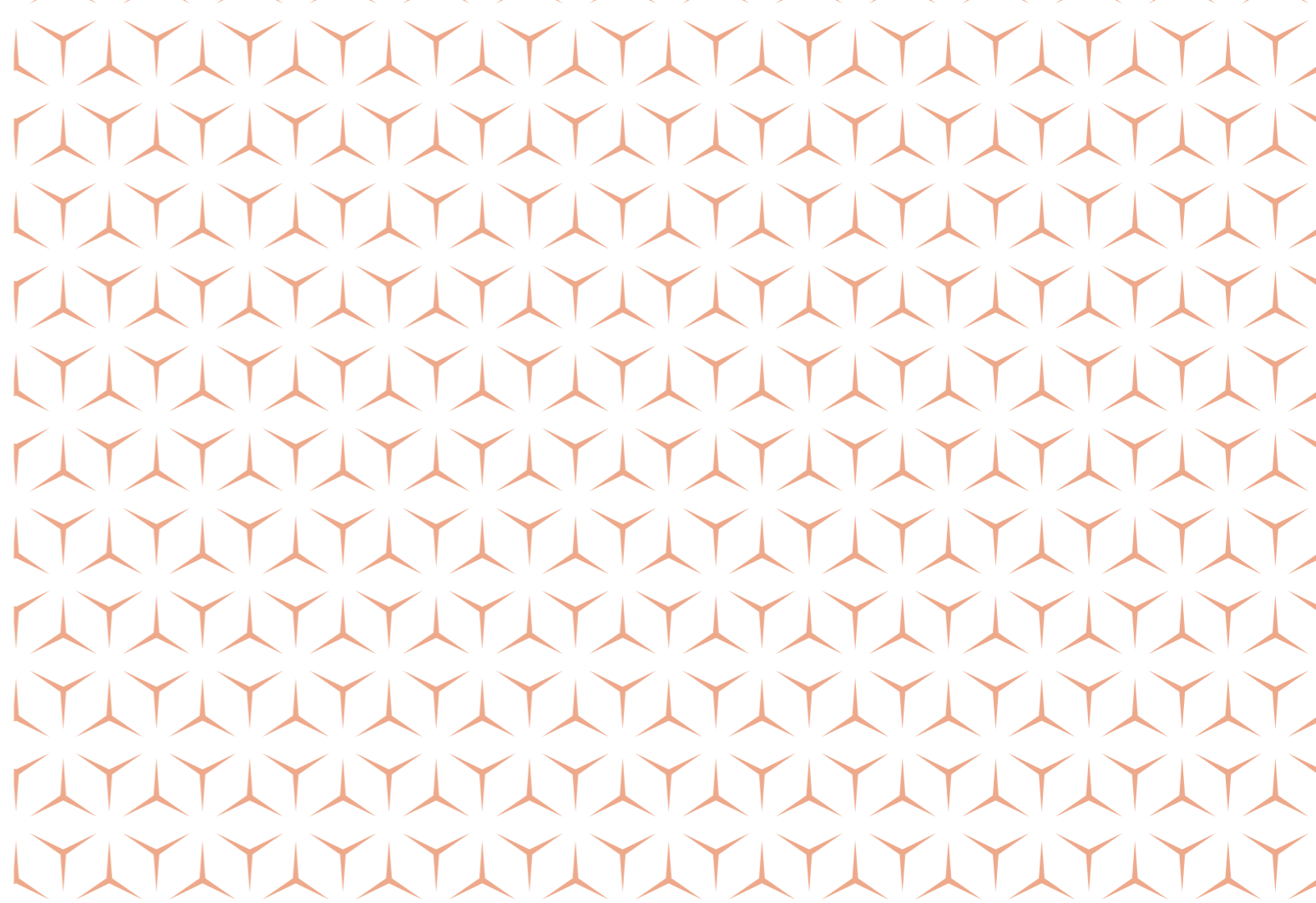
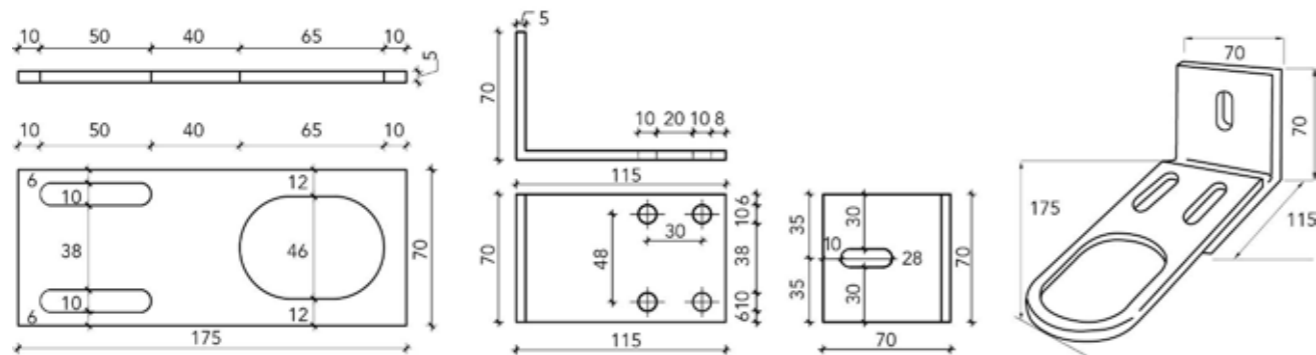


CARE+ RANGE

CONCEALED STABILITY BASIN BRACKETS

PRODUCT CODE: FIXSPABRKOMEDUS0 | **W 70 | H 70 | D 175**

The Lecico Concealed Stability Basin Brackets for additional basin mounting strength and peace of mind.



CARE+ RANGE

RAISED HEIGHT WCs



Raised Height WCs are more comfortable and convenient to use because the toilet pans are taller in height. The extra 5cm-12cm in raised height means that it is easier and more comfortable to lower your body and sit on it. The extended height is really appreciated by wheelchair users, taller people, as well as by people that are frail, or, people who struggle with lower back pain.



CARE+ RANGE

ATLAS PARAPLEGIC ASSISTED MOBILITY CLOSE-COUPLE WC SET (SIDE FLUSH, RAISED HEIGHT)

PAN: PARPANCCF0000UE | **W 443 | H 855 | D 731**

CISTERN: PARCISSFLONOMUE

MECHANISM: DUTMECPAR0CCMUS

The ideal Close Couple WC set for mobility assistance bathroom facilities.

CARE+ RANGE

ATLAS RAISED PARAPLEGIC CC WITH 2-PIECE GRAB RAILS COMBO (DOG-LEG GRAB RAIL & CISTERN GRAB RAIL)

PRODUCT CODE: PARSETCCB0RAIBE | **W 443 | H 855 | D 731**

The addition of the mobility assistance grab rails provides secure grab reach and leverage for users.

CARE+ RANGE

ATLAS PARAPLEGIC ASSISTED MOBILITY LOW LEVEL WC SET (SIDE FLUSH, RAISED HEIGHT)

PAN: PARPANLLF0000UE | **W 460 | H 1033 | D 790**

CISTERN: PARCISLLSONOMUE

MECHANISM: DUTMECPAR0LLMUS

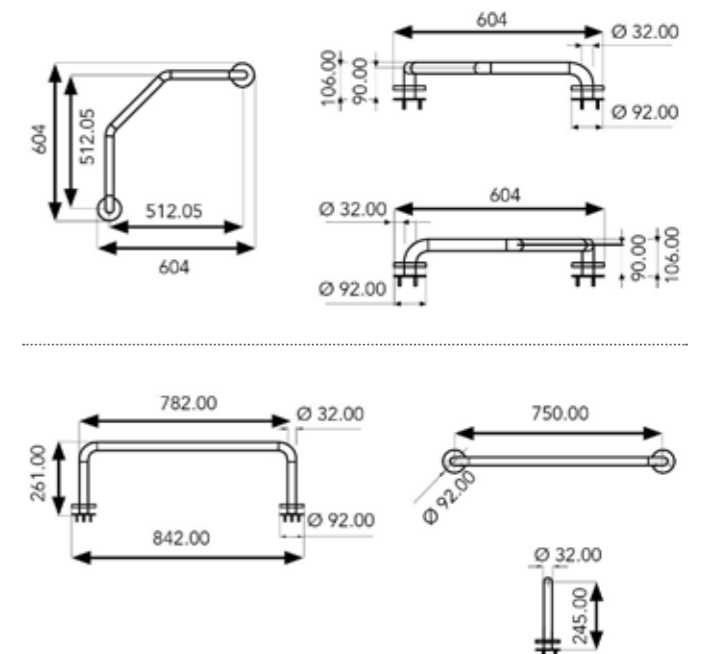
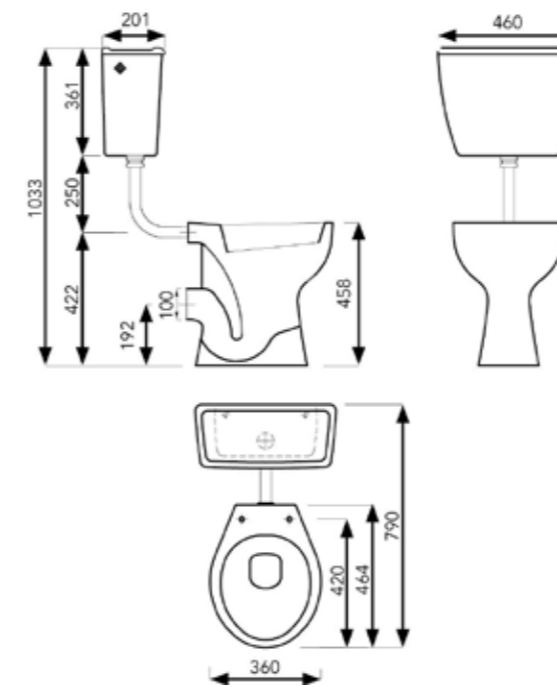
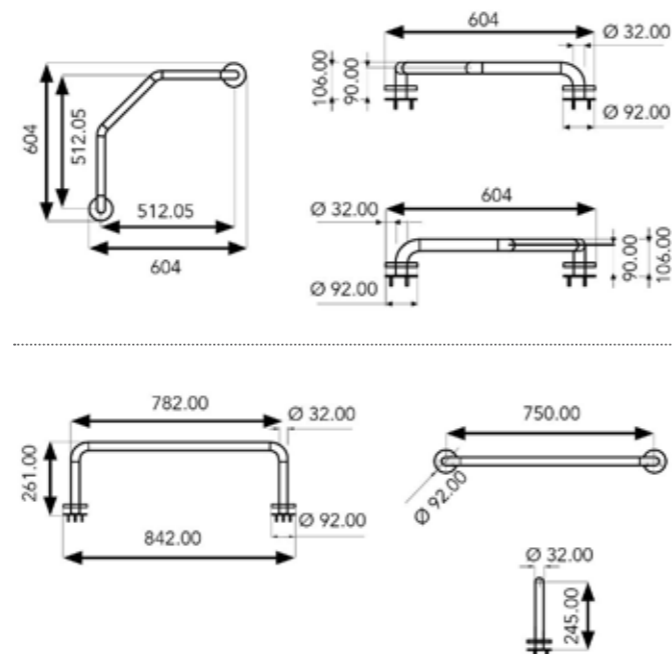
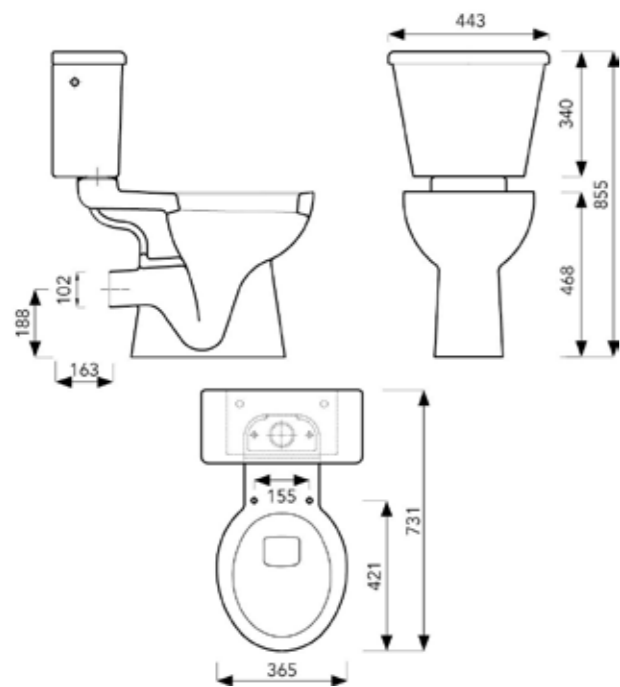
The ideal Low Level WC set for mobility assistance bathroom facilities.

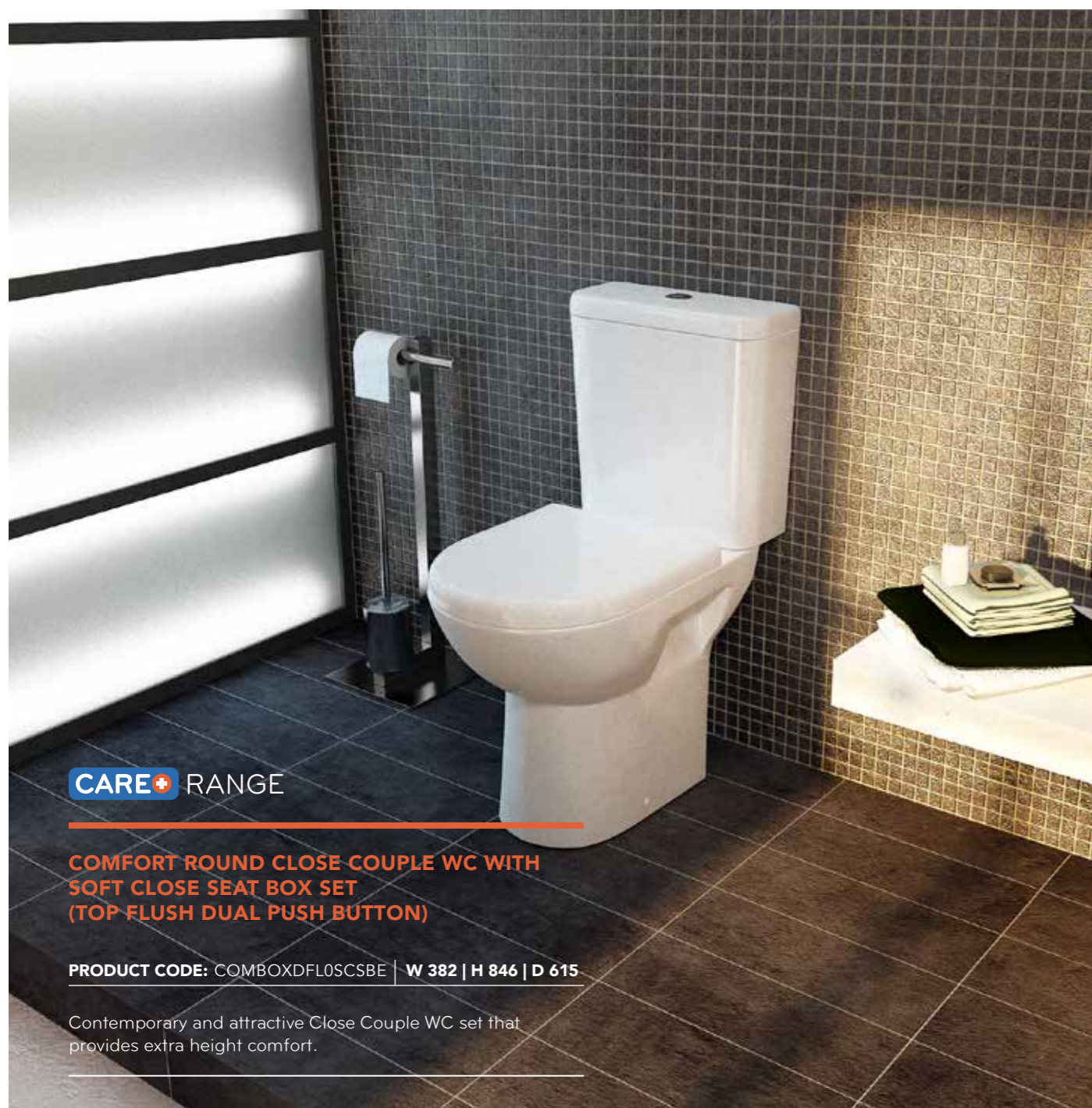
CARE+ RANGE

ATLAS RAISED PARAPLEGIC LL WITH 2-PIECE GRAB RAILS COMBO (DOG-LEG GRAB RAIL AND CISTERN GRAB RAIL)

PRODUCT CODE: PARSETLLB0RAIBE | **W 460 | H 1033 | D 790**

The addition of the mobility assistance grab rails provides secure grab reach and leverage for users.



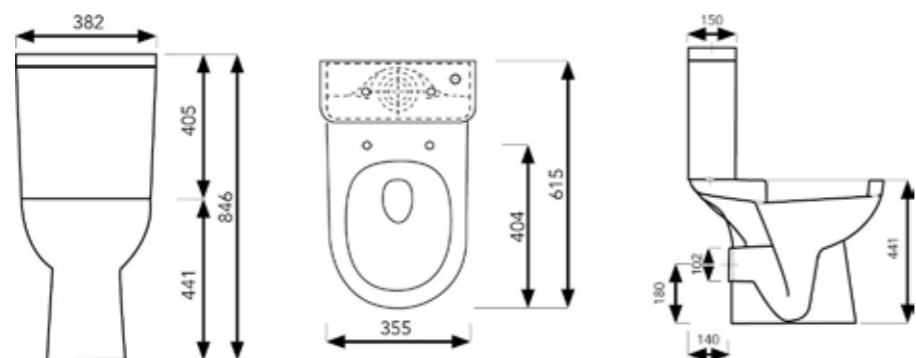


CARE+ RANGE

**COMFORT ROUND CLOSE-COUPLE WC WITH
SOFT CLOSE SEAT BOX SET
(TOP FLUSH DUAL PUSH BUTTON)**

PRODUCT CODE: COMBOXDFL0SCSBE | W 382 | H 846 | D 615

Contemporary and attractive Close Couple WC set that provides extra height comfort.

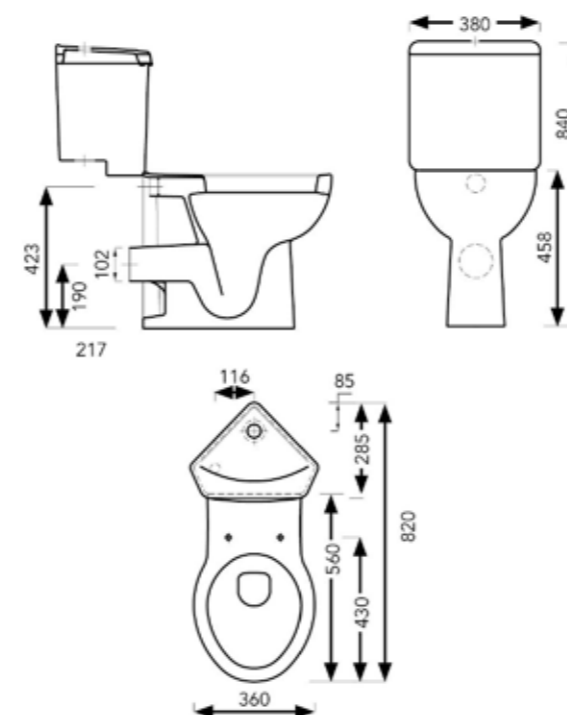


CARE+ RANGE

**LAGUNA BACK-TO-WALL PARAPLEGIC /
ASSISTED MOBILITY RAISED HEIGHT PAN**

PRODUCT CODE: LAGPANBTW0PARUE | W 360 | H 458 | D 560

The ideal solution for bathrooms that cater towards wheelchair users, as well as users that require mobility assistance.

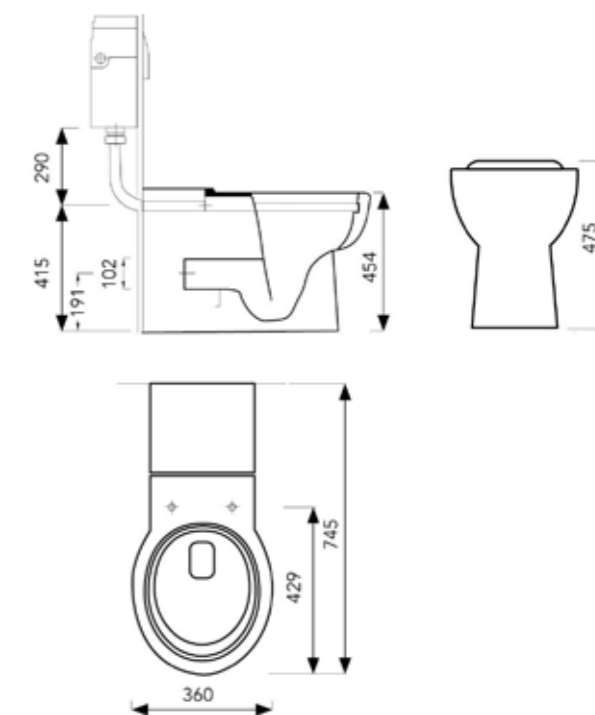


CARE+ RANGE

**LAGUNA RIMLESS BACK-TO-WALL RAISED
HEIGHT MEDICAL PAN**

PRODUCT CODE: LAGPANBTW0RIMUE | W 360 | H 475 | D 745

The ideal solution for bathrooms that cater towards wheelchair users, as well as users that require mobility assistance. The Rimless pan is perfect for environments requiring strict hygiene protocols, as well as concerted germ-avoidance.





CARE+ RANGE

RIMLESS WCs



A RIMLESS toilet is a toilet pan that does not have the traditional inside rim. Instead of water flowing into the bowl all the way round the rim, a direct flush technique shoots water around the edge of a smooth pan. As there is no rim, rimless toilets are easy to clean and more hygienic than a traditional toilet.

WHAT MAKES RIMLESS TOILETS SO GREAT?

MORE HYGIENIC – Hard-to-reach areas of a traditional toilet pan are breeding grounds for germs to hide. Without this rim and with the advanced flushing system washing those germs away, rimless toilets provide a more hygienic day-to-day experience.

EASIER TO CLEAN – no inner rim means that cleaning the inside of the toilet pan is so much easier.

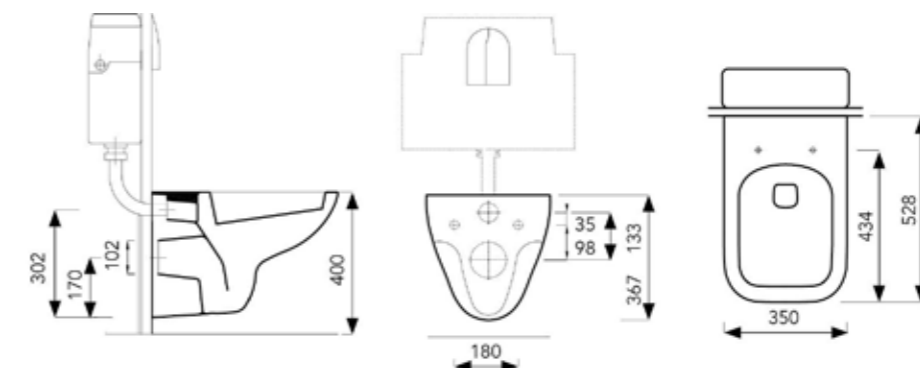
IMPROVED FLUSH TECHNOLOGY – Rimless toilets provide improved and more targeted flush performance.

CARE+ RANGE

C2 SQUARED WALL-HUNG RIMLESS PAN WITH SOFT CLOSE SEAT

PRODUCT CODE: C2SDUOWHU0SCSBE | **W 350 | H 400 | D 528**

Luxury and practicality. The Rimless pan is perfect for environments requiring strict hygiene protocols, as well as concerted germ-avoidance.



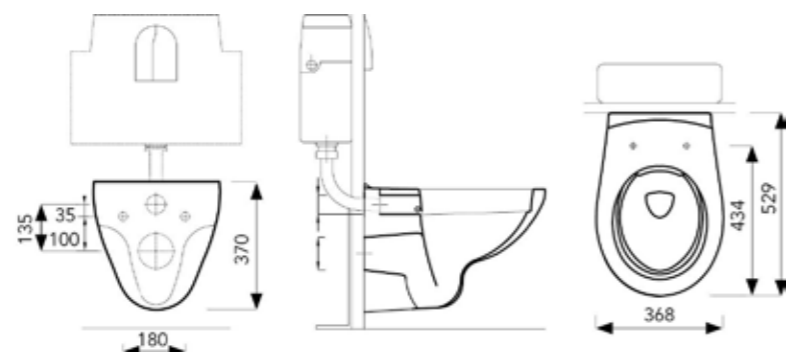
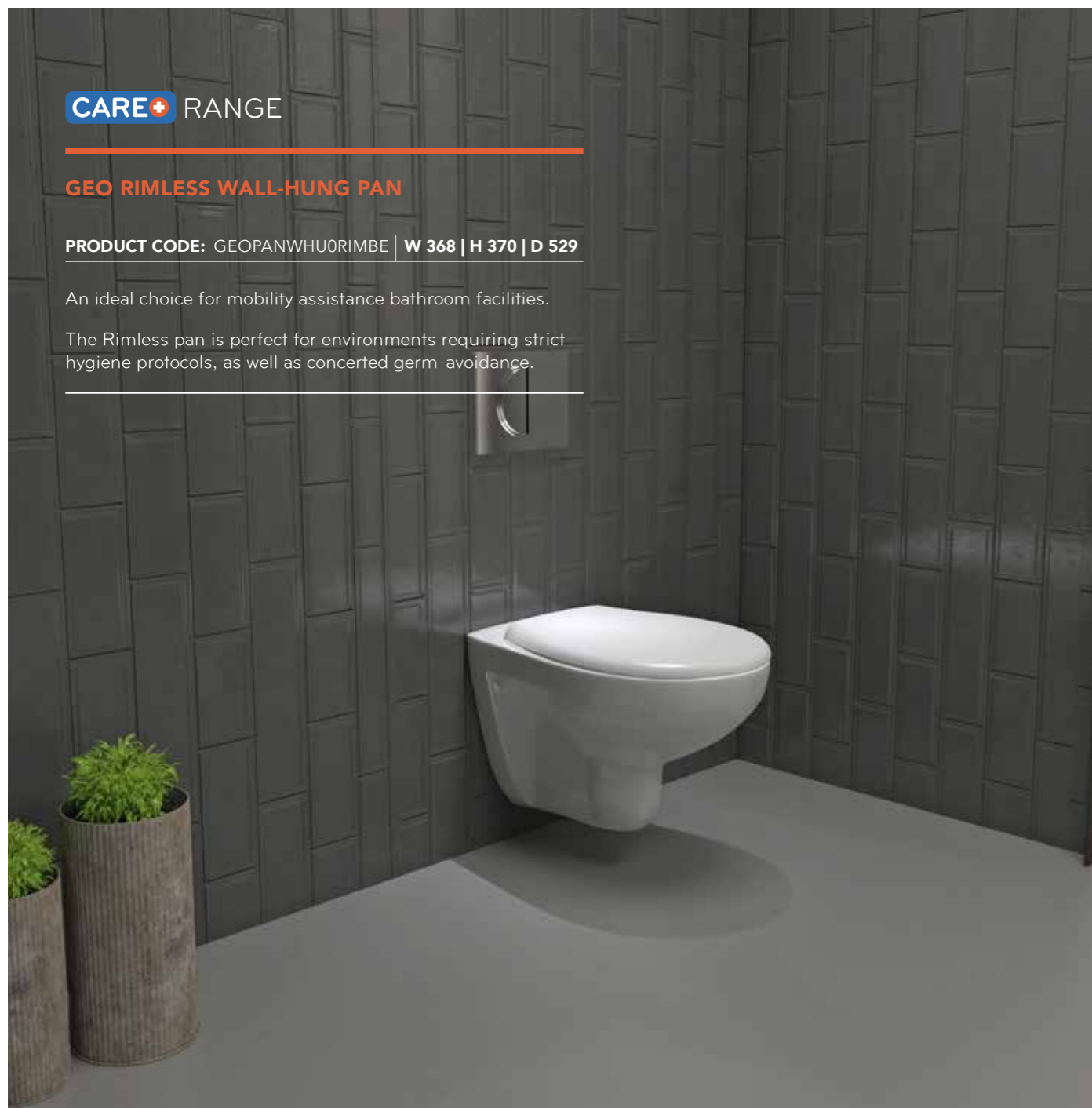
CARE+ RANGE

GEO RIMLESS WALL-HUNG PAN

PRODUCT CODE: GEOPANWHUORIMBE | **W 368 | H 370 | D 529**

An ideal choice for mobility assistance bathroom facilities.

The Rimless pan is perfect for environments requiring strict hygiene protocols, as well as concerted germ-avoidance.



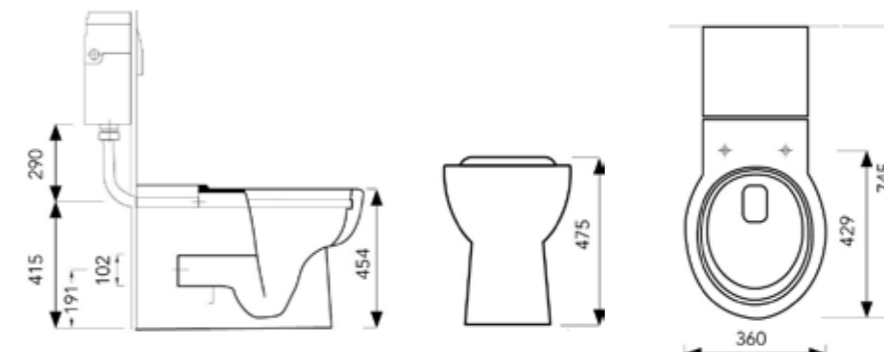
CARE+ RANGE

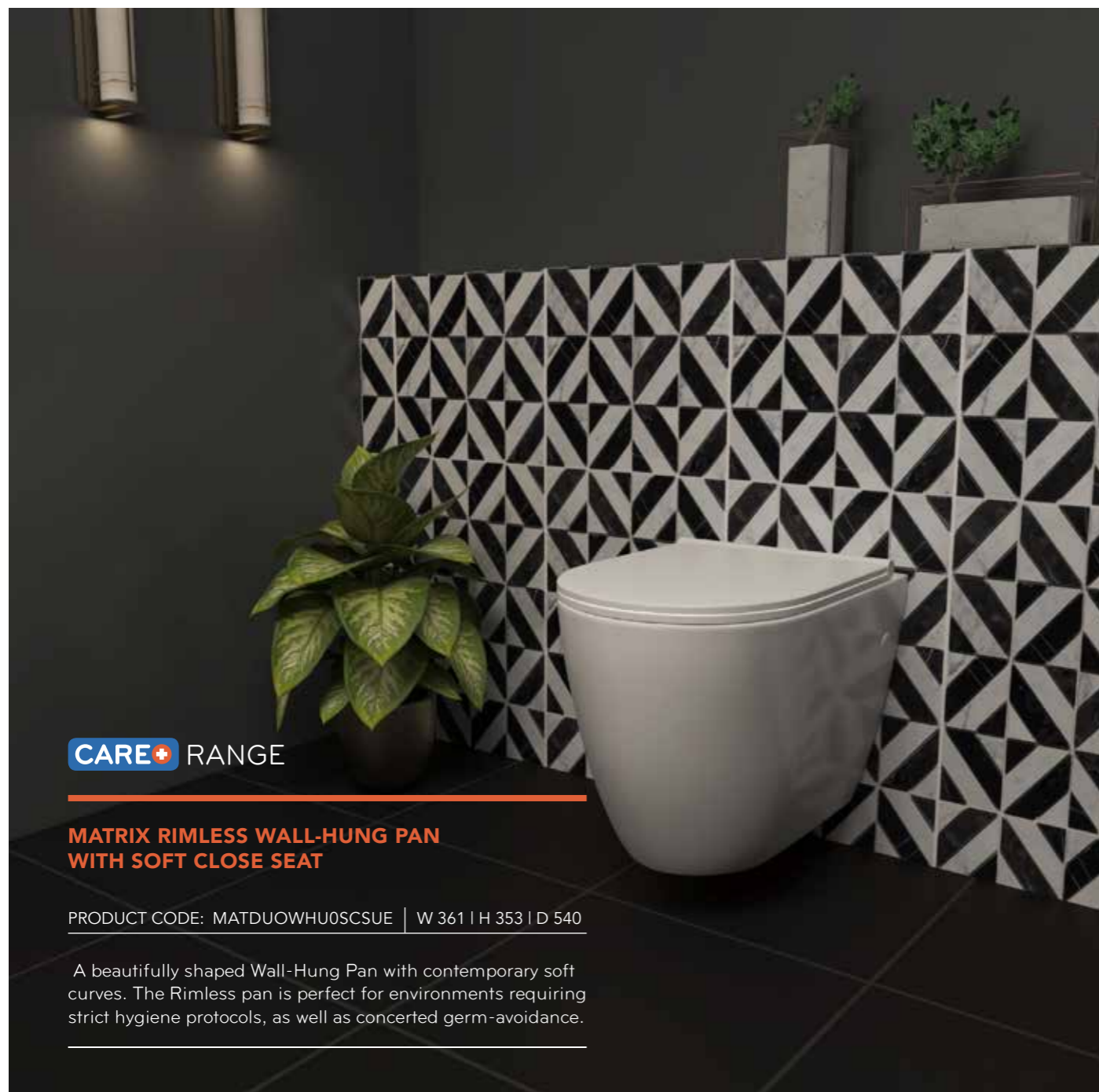
LAGUNA RIMLESS BACK-TO-WALL RAISED HEIGHT MEDICAL PAN

PRODUCT CODE: LAGPANBTWORIMUE | **W 360 | H 475 | D 745**

An ideal choice for mobility assistance bathroom facilities.

The Rimless pan is perfect for environments requiring strict hygiene protocols, as well as concerted germ-avoidance.



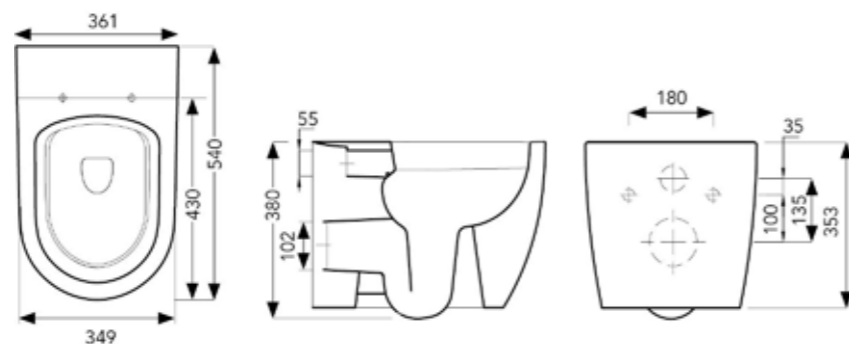


CARE+ RANGE

MATRIX RIMLESS WALL-HUNG PAN WITH SOFT CLOSE SEAT

PRODUCT CODE: MATDUOWHU0SCSUE | W 361 | H 353 | D 540

A beautifully shaped Wall-Hung Pan with contemporary soft curves. The Rimless pan is perfect for environments requiring strict hygiene protocols, as well as concerted germ-avoidance.

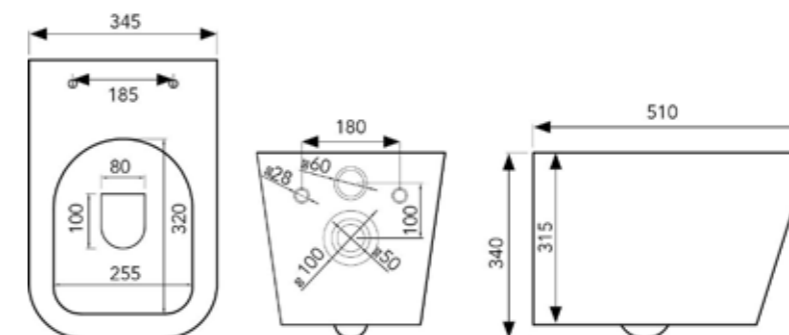


CARE+ RANGE

VOLTA RIMLESS WALL-HUNG PAN WITH SOFT CLOSE SEAT

PRODUCT CODE: VOLDUOWHU0SCSBC | W 345 | H 340 | D 510

Sleek practicality. The Rimless pan is perfect for environments requiring strict hygiene protocols, as well as concerted germ-avoidance.



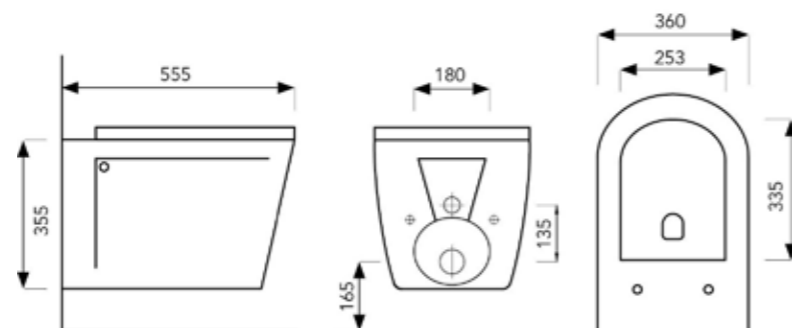


CARE+ RANGE

ZAMBEZI RIMLESS WALL-HUNG PAN WITH SOFT CLOSE SEAT

PRODUCT CODE: ZAMDUOWHU0SCSBC | **W 360 | H 355 | D 555**

A perpetual favourite, the Zambezi Rimless Wall-Hung Pan is seriously stylish, and beautifully shaped. The Rimless pan is perfect for environments requiring strict hygiene protocols, as well as concerted germ-avoidance.

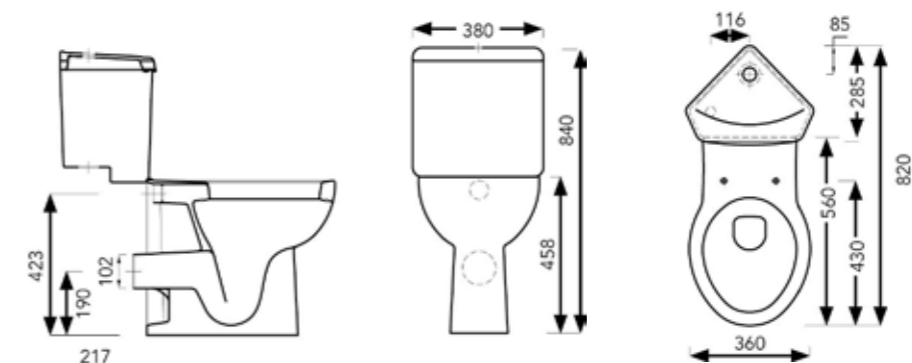


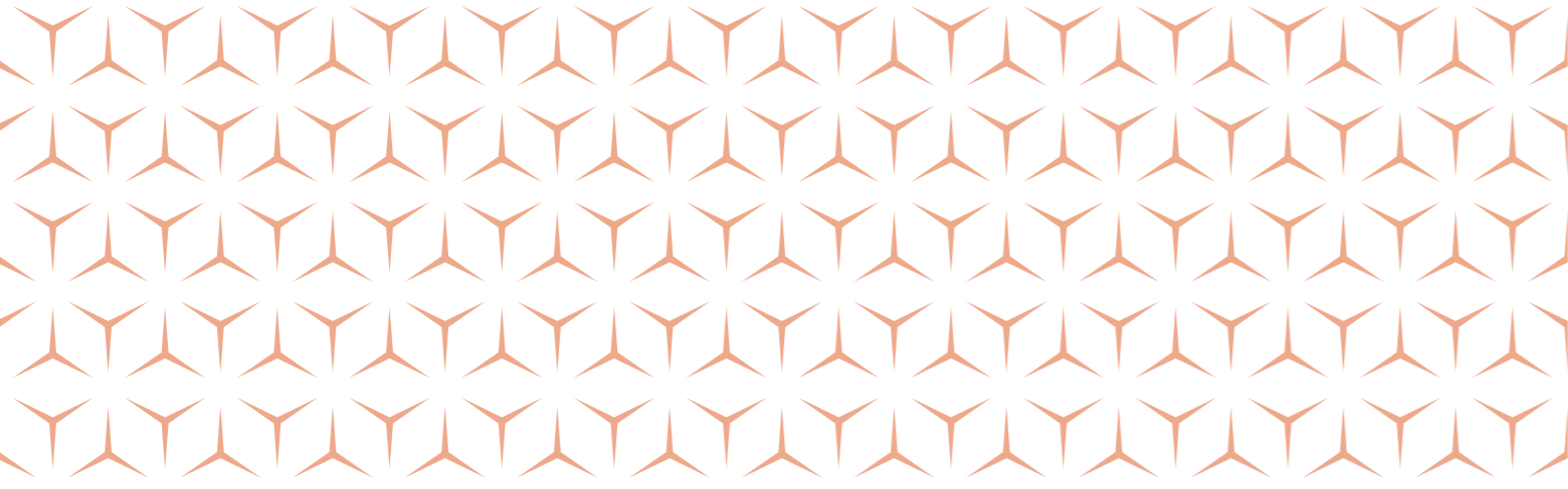
CARE+ RANGE

LAGUNA BACK-TO-WALL PARAPLEGIC / ASSISTED MOBILITY RAISED HEIGHT PAN

PRODUCT CODE: LAGPANBTW0PARUE | **W 360 | H 458 | D 560**

An ideal choice for mobility assistance bathroom facilities.





CARE+ RANGE

GRAB RAILS



Lecico offers two mobility assistance Grab Rails as part of its Care+ range, a Cistern Grab Rail and a Dog-Leg Grab Rail. These stainless steel grab rails provide secure grab reach and leverage for users.

We recommend the use of these grab rails for:

- Elderly / frail individuals
- Individuals with permanent and semi-permanent physical mobility concerns or challenges
- Individuals with temporary mobility concerns or challenges (including post-operative patients, individuals with sports injuries, individuals with orthopaedic injuries)
- Wheelchair users
- Healthcare and medical environments
- Physical rehabilitation and treatment facilities
- Any commercial or residential site that requires accessible bathroom facilities for its users

These stainless steel grab rails (Cistern Grab Rail, and, Dog-Leg wall Grab Rail) can be ordered on their own, or, they can be ordered as an add-on product with the *Atlas Paraplegic Assisted Mobility Close Couple WC Set*, or, with the *Atlas Paraplegic Assisted Mobility Low Level WC Set*.



CARE+ RANGE

ATLAS RAISED PARAPLEGIC LL WITH 2-PIECE GRAB RAILS COMBO (DOG-LEG GRAB RAIL AND CISTERN GRAB RAIL)

PRODUCT CODE: PARSETLLBORAIBE | **W 460 | H 1033 | D 790**

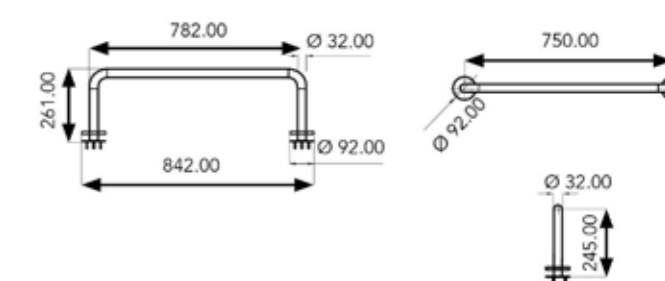
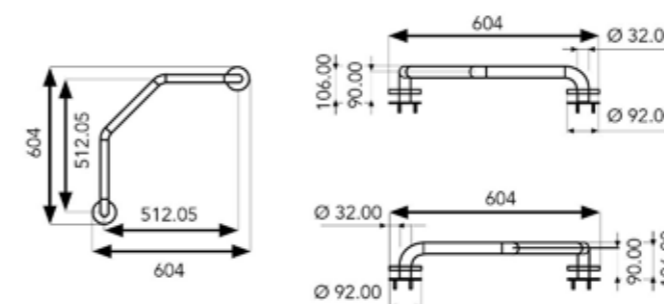
The addition of the two Grab Rails are highly recommended as they provide extra grab reach security, leverage and peace of mind for users.

CARE+ RANGE

ATLAS RAISED PARAPLEGIC CC & 2-PIECE GRAB RAILS COMBO (DOG-LEG GRAB RAIL AND CISTERN GRAB RAIL)

PRODUCT CODE: PARSETCCBORAIBE | **W 443 | H 855 | D 731**

The addition of the two Grab Rails are highly recommended as they provide extra grab reach security, leverage and peace of mind for users.





CARE+ RANGE

CARE+ RANGE

GRAB RAIL - CISTERN

GRAB RAIL - DOG-LEG

PRODUCT CODE: GRARAICIS0750US | W 750 | H Ø32 | D 245

PRODUCT CODE: GRARAIDOG0604US | W 604 | H Ø32 | D 106

