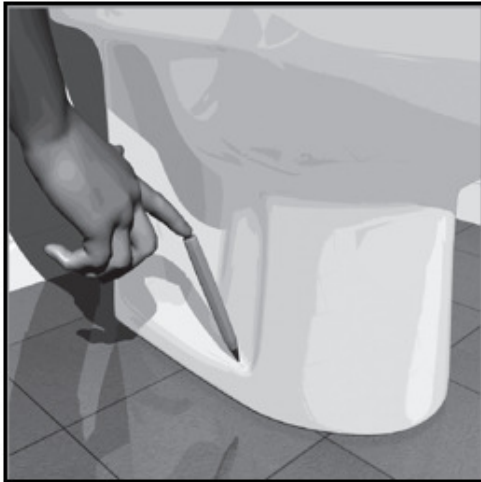


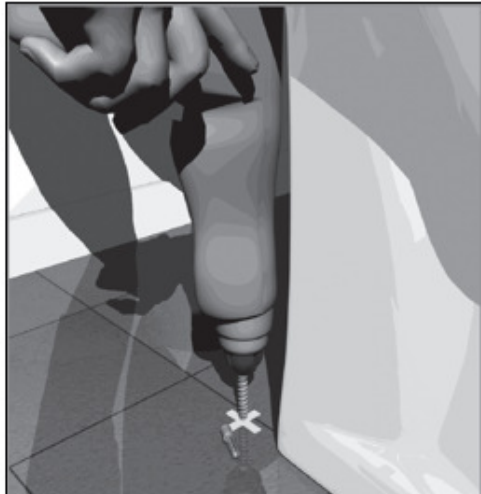
Floor Fixing Type

1.



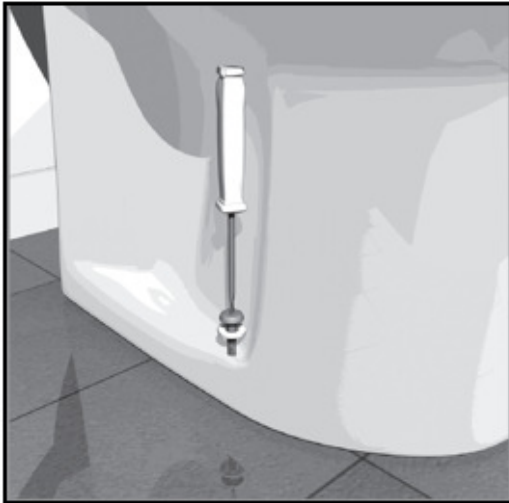
Mark the sight of the fitting holes on the floor.

2.

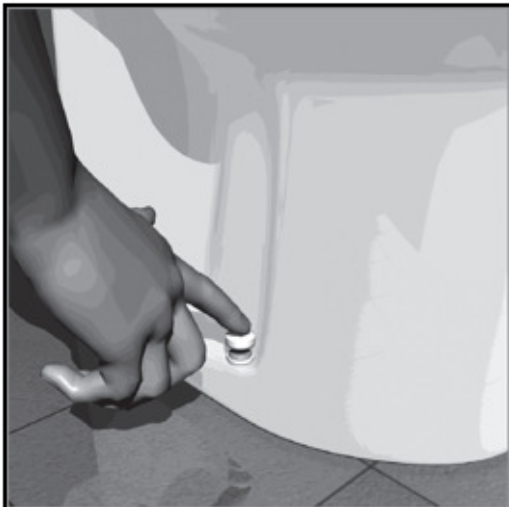


Drill holes and insert with the adapted peg.

3.



4.



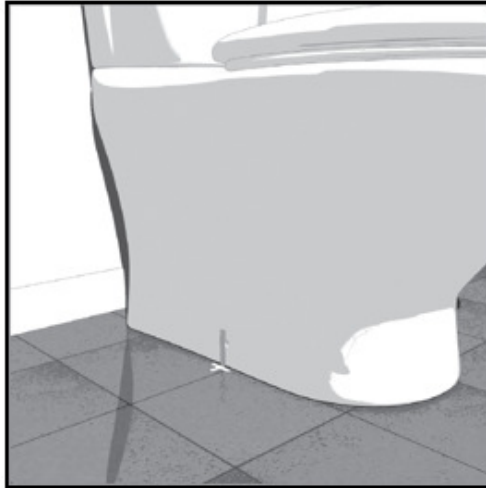
Fix the pan to the Floor.

Don't forget to position the waste before the simultaneous tightening of the screws.

Put the caps on the screw heads.

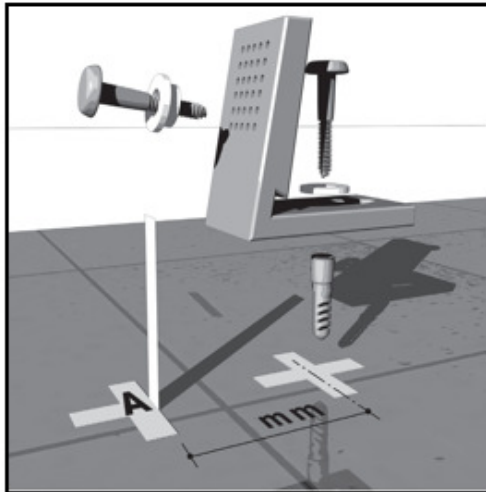
Side Fixing Type

1.



Place the pan in its final position and make a reference mark on the floor.

2.



The hole must be a specific distance from the reference mark A.

Drill holes and insert the provided peg.